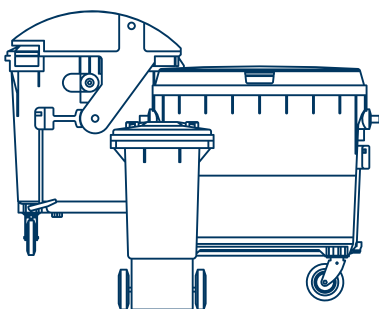


PRODUCTS



W-weber
www.w-weber.com



ABFALLBEHÄLTER & CONTAINER

WEBER GmbH & Co. KG

quality made in germany



Weber is one of the leading manufacturers of waste management products and offers a high-quality range of waste containers and litter bins. All Weber products are manufactured exclusively in Haan, Germany using the compact injection moulding process.

Weber containers are the perfect solution for all types of waste and recyclable materials, such as residual waste, paper, glass, packaging etc. and are available in a variety of standard sizes and designs.

Our modern production facilities, combined with continuous internal quality controls and current external inspections by independent testing institutes, guarantee products of the highest quality.

Weber is your reliable partner for the waste management industry!



ABFALLBEHÄLTER & CONTAINER WEBER GmbH & Co. KG
BERGISCHE STRASSE 10-14, D-42781 HAAN, GERMANY

☎ + 49 2129 93 62 - 0 📠 + 49 2129 93 62 - 22

✉ info@w-weber.com

www.w-weber.com



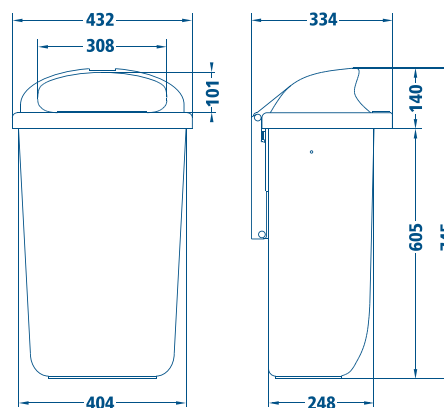
WASTE CONTAINERS 50 LITRE IN ACCORDANCE WITH DIN 30713

Nominal Volume: 50 l

Empty weight: 4.0 kg

Dimensions (W/D/H): 432 x 334 x 745 mm

- manufactured from HDPE using the compact injection moulding process in accordance with DIN 30713
- resistant to UV, cold, heat and chemicals
- easily mounted on posts, trellises and walls
- body can be emptied or exchanged by simple release with a triangular key
- galvanised metal parts
- available in standard orange (RAL 2010) or green (RAL 6011) other colours on request



PRESORTING CONTAINERS 10 LITRE

Nominal Volume: 10 l

Empty weight: 500 g

Dimensions (W/D/H): 208 x 279 x 309 mm

- manufactured from HDPE using the compact injection moulding process
- resistant to UV, cold, heat and chemicals
- galvanized steel wire folding handle
- standard markings on the lid: neutral or Weber
- available in brown or green



We reserve the right to make dimensional and constructional alterations.

MGB 240 LITRE

IN ACCORDANCE WITH EN 840



THE MOST POPULAR SIZE
BY OPTIMAL VOLUME

- 1 // SOLID LID
- 2 // STABLE FULL-LENGTH HANDLE
- 3 // ERGONOMIC CHASSIS



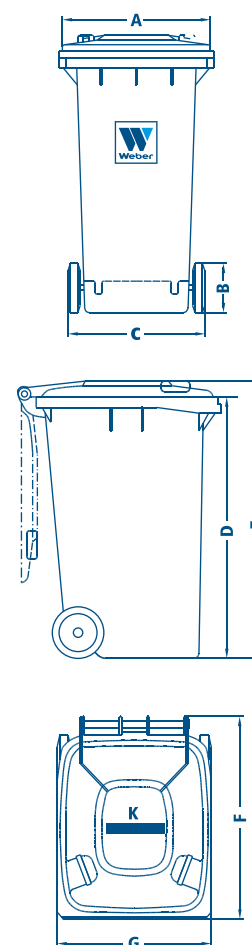
MGB 60 / 80 / 120 / 140 / 180 / 240 / 360 L IN ACCORDANCE WITH EN 840

- manufactured from HDPE using the compact injection moulding process in accordance with EN 840-1
- resistant to UV, cold, heat and chemicals
- galvanised steel axle
- standard wheels with solid rubber tyres Ø 200 x 50 mm carrying capacity 100kg/wheel – other options available
- embossed markings and hot-foil printing available
- chip-nest for secure transponder placement
- standard colours – grey, green, blue and brown other colours available on request



WEBER 2-WHEELED BINS	60 L	80 L	120 L	140 L	180 L	240 L	360 L
Nominal volume (l)	60	80	120	140	180	240	360
Nominal payload (kg)	40	40	48	56	72	96	144
Empty weight ca. (kg)*	10.7	10.1	9.2	10.9	11.4	12.5	20
A Lid, width (mm)	421	421	440	440	440	533	580
B Wheel Ø (mm)	200	200	200	200/250	200/250	200/250	200/300
C Travelling gear, width (mm)	450	450	490	480	485	575	578
D Body, height (mm)	884	881	868	995	997	985	1005
E Total height (mm)	935	939	930	1050	1063	1063	1098
F Total depth (mm)	520	520	545	545	712	713	878
G Total width (mm)	445	445	475	475	477	575	596

K Customer field 197 x 30 mm for all 2-wheeled bins (customer name or blank)



* Empty weight with solid axle and 200mm Ø wheel

We reserve the right to make dimensional and constructional alterations.

MGB 1100 L FLAT LID

CLASSIC



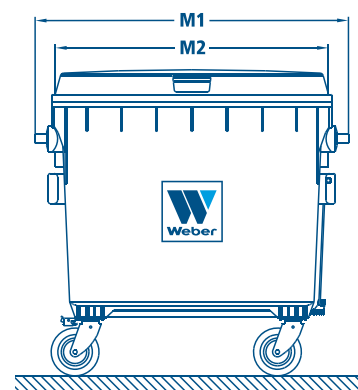
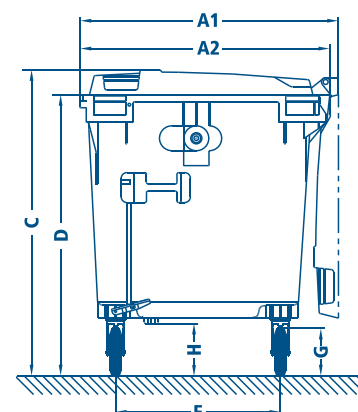
VERY ROBUST PERFORMANCE
SEPARATE HINGE FIXINGS

- 1 // HINGE FIXINGS
- 2 // CHIP-NEST
- 3 // CHASSIS



MGB 660 / 770 / 1100 L CLASSIC IN ACCORDANCE WITH EN 840

- manufactured from HDPE using the compact injection moulding process in accordance with EN 840-2
- MGB 1100 L CLASSIC with separate robust hinge fixings
- chip-nest for secure transponder placement
- galvanised metal parts
- resistant to UV, cold, heat and chemicals
- embossed markings and hot-foil printing available
- standard colours – grey, green, blue and brown
other colours available on request



WEBER 4-WHEELED FLAT LID BINS	660 L	770 L	1100 L
Nominal volume (l)	660	770	1100
Nominal payload (kg)	270	310	440
Empty weight ca. (kg)*	41.3	46	58
A1 Total depth, lid open (mm)	778	791	1113
A2 Body, total depth with hinges (mm)	764	767	1085
C Total height (mm)	1222	1360	1309
D Body, height (mm)	1145	1285	1212
F Travelling gear, width (mm)	480	485	745
G Wheel Ø (mm)	160/200	160/200	200
H Ground clearance (mm)	190	190	225
M1 Width with lifting trunnions (mm)	1371	1371	1371
M2 Lid, width (mm)	1125	1125	1168

Customer field 370 x 49 mm for all 4-wheeled bins (customer name or blank)



* Empty weight ca. (kg) with lifting trunnions

We reserve the right to make dimensional and constructional alterations.

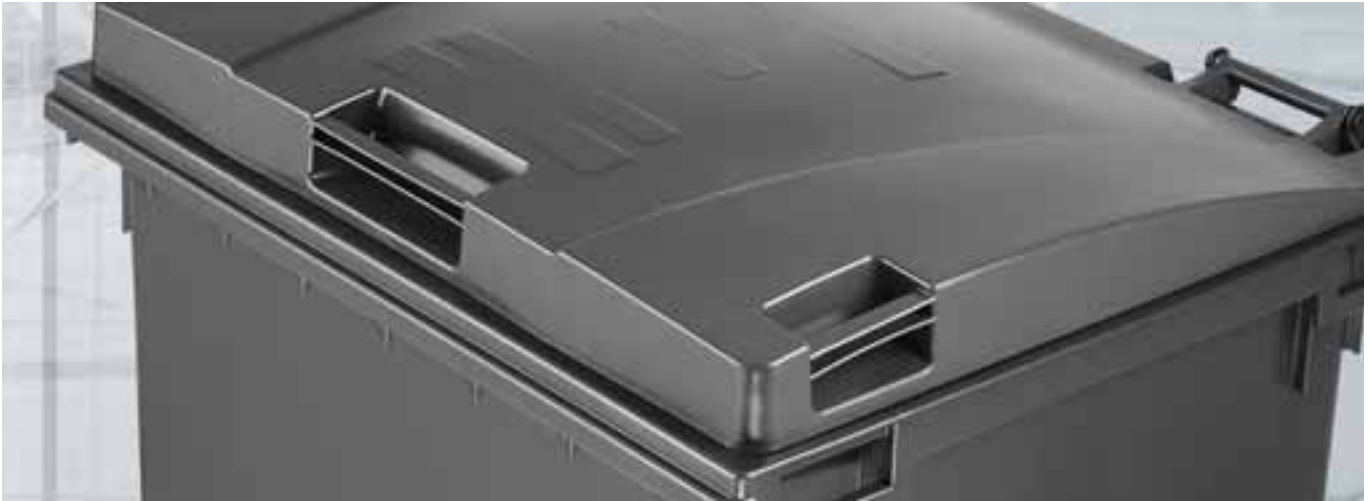
MGB 1100 L FLAT LID

LID IN LID (FL LIL)



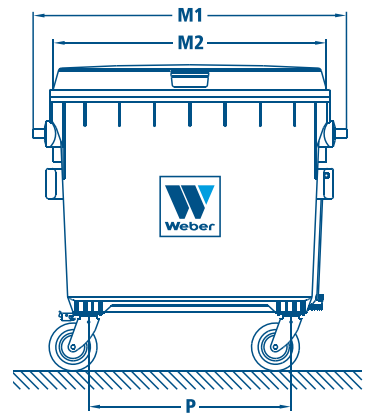
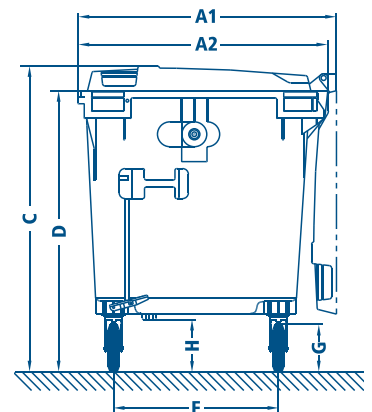
EASY FILLING
THROUGH LIGHTWEIGHT SMALLER LID

- 1 // LID IN LID
- 2 // EASY FILLING
- 3 // WIDE APERTURE



MGB 1100 L FLAT LID (FL) IN ACCORDANCE WITH EN 840

- manufactured from HDPE using the compact injection moulding process in accordance with EN 840-2
- simple exchange of the smaller lid as well as the main lid
- stepped rim, reinforced by additional ribbing
- chip-nest for secure transponder placement
- galvanised metal parts
- resistant to UV, cold, heat and chemicals
- embossed markings and hot-foil printing available
- standard colours - grey, green, blue and brown
other colours available on request



WEBER 4-WHEELED FLAT LID BINS 1100 L	1100 L FL	1100 L FL LIL
Nominal volume (l)	1100	1100
Nominal payload (kg)	440	440
Empty weight ca. (kg)*	52	52
A1 Total depth, lid open (mm)	1085	1085
A2 Body, total depth with hinges (mm)	1065	1065
C Total height (mm)	1315	1330
D Body, height (mm)	1205	1205
F/P Travelling gear, width (mm)	755/855	755/855
G Wheel Ø (mm)	200	200
H Ground clearance (mm)	200	200
M1 Width with lifting trunnions (mm)	1372	1372
M2 Lid, width (mm)	1180	1180

Customer field 370 x 49 mm for all 4-wheeled bins (customer name or blank)



* Empty weight ca. (kg) with lifting trunnions

We reserve the right to make dimensional and constructional alterations.

MGB 1100 L DOMED LID

LID IN LID (DL LIL)



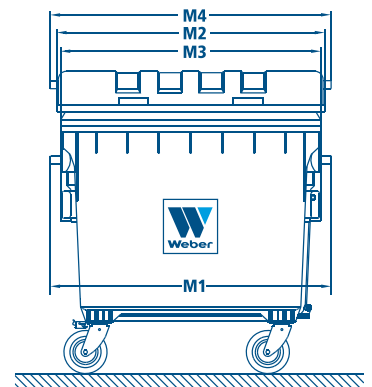
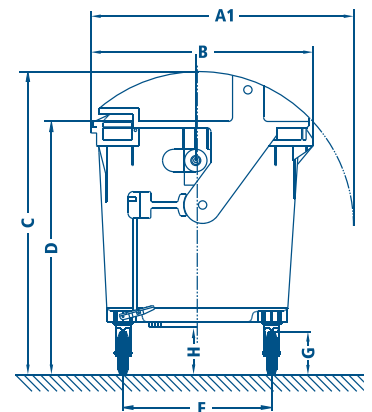
EASY FILLING
THROUGH LIGHTWEIGHT SMALLER LID

- 1 // LID IN LID
- 2 // EASY FILLING
- 3 // WIDE APERTURE



MGB 1100 L DOMED LID (DL) IN ACCORDANCE WITH EN 840

- manufactured from HDPE using the compact injection moulding process in accordance with EN 840-3
- sliding lid can be secured in three positions
- simple exchange of the smaller lid
- stepped rim, reinforced by additional ribbing
- chip-nest for secure transponder placement
- galvanised metal parts
- resistant to UV, cold, heat and chemicals
- embossed markings and hot-foil printing available
- standard colours – grey, green, blue and brown
other colours available on request



WEBER 4-WHEELED DOMED LID BINS 1100 L	1100 L DL LIL
Nominal volume (l)	1100
Nominal payload (kg)	440
Empty weight ca. (kg)*	68.3
A1 Total depth, lid open (mm)	1220
B Body, total depth (mm)	1065
C Total height (mm)	1460
D Body, height (mm)	1205
F Travelling gear, width (mm)	755
G Wheel Ø (mm)	200
H Ground clearance (mm)	225
M1 Width with lifting trunnions (mm)	1372
M2 Lid, width (mm)	1270
M3 Body, width (mm)	1199
M4 Width with lid trunnions	1370

Customer field 370 x 49 mm for all 4-wheeled bins (customer name or blank)

* Empty weight ca. (kg) with lifting trunnions

We reserve the right to make dimensional and constructional alterations.



MGB 360 / 660 / 770 / 1100 L

CLINICAL WASTE CONTAINERS IN ACCORDANCE WITH EN 840 / UN-Code 3291 APPROVED



CLINICAL WASTE
SAFE COLLECTION AND TRANSPORTATION

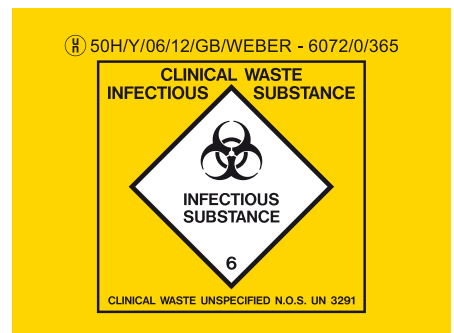
- 1 // SOLID STRIKER PLATE
- 2 // TRIANGULAR SLAM LOCK
- 3 // WATERTIGHT



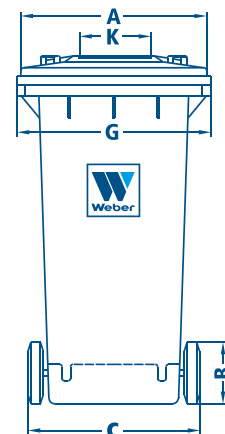
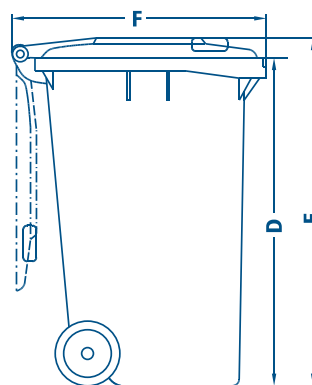
MGB 360 / 660 / 770 / 1100 L

IN ACCORDANCE WITH EN 840 / UN-Code 3291 APPROVED

- certified WEBER Clinical Waste Containers 360, 660, 770 and 1100 litre, made from HDPE in accordance with EN 840-1/2:2012
- resistant to UV, cold, heat and chemicals
- UN-certified for collection of dangerous material
- watertight (without drainage hole)
- with triangular slam lock
- packing group I to III with UN-marking 50H/Y (360l certified for packing group II)
- marked for clinical waste in accordance with UN3291



WEBER 2-WHEELED BIN	360 L
Nominal volume (l)	360
Nominal payload (kg)	144
Empty weight ca. (kg)*	20
A Lid, width (mm)	580
B Wheel Ø (mm)	200/300
C Travelling gear, width (mm)	578
D Body, height (mm)	1005
E Total height (mm)	1098
F Total depth (mm)	878
G Total width (mm)	596



K Customer field 197 x 30 mm for all 2-wheeled bins (customer name or blank)



* Empty weight with solid axle and 200mm Ø wheel

We reserve the right to make dimensional and constructional alterations.



OPTIONAL EXTRAS WEBER 2- AND 4-WHEELED BINS

Weber Wheeled Bins			No.	60/80 L
Lid apertures	for bottles	Ø 90/120/160 mm with/without rubber collar		•
	for paper	Ø 160/200 mm with/without rubber collar (x2) paper slot 300 x 20 mm with/without canopy	7	•
Lock systems	for packaging	with/without brushes	9	•
	triangular lock		2 8	•
	gravity lock			•
Lid opener	mounting device for padlock		11	
Lifting handles	with foot pedal		10	
Handles	side mounted (right and left)	included with central brake		
	full-length			•
Hinge fixings	moulded			•
	screwed			
Lifting devices	comb lifting			Standard
	DIN lifting		5 10	
	DIN lifting with safety stopper		6	
Travelling gear	Ochsner-type handles			
	brake: central brake with lifting handle		10	
	directional lock (x2)			
Bin markings	wheel brake on front wheels (x2)			
	embossing on lid			•
Wheels	hot-foil printing on body and lid		1 3	•
	Ø 160 mm			
	Ø 200 mm			Standard
	Ø 250 mm			
	Ø 300 mm			
Noise reduction	heavy duty wheels			
	non-marking wheels			
	polyamide wheels			
Chip-nest	(lid)			•
Chip-nest	for secure transponder placement		4	Standard
Towing kit			12	
Weber Wheeled Bins			Nr.	60/80 L





4



5



6

•	possible
Standard	included as standard

	120 L	140 L/180 L	240 L	360 L	660 L/770 L	1100 L FL	1100 L FL LIL	1100 L FL C	1100 L DL LIL
	•	•	•	•	•	•		•	
	•	•	•	•	•	•		•	
			•	•	•	•		•	
	•	•	•	•	•	•	•	•	•
	•	•	•	•	•	•	•	•	•
	•	•	•	•	•	•	•	•	•
	•	•	•	•	•	•	•	•	•
	•	•	•	•	•	•	•	•	•
	Standard	Standard	Standard	Standard	Standard	Standard	Standard	Standard	Standard
					•	•	•	•	•
					•	•	•	•	•
					•	•	•	•	•
					•	•	•	•	•
					•	•	•	•	•
					Standard	Standard	Standard	Standard	Standard
	•	•	•	•	•	•	•	•	•
	•	•	•	•	•	•	•	•	•
	•	•	•	•	•	•	•	•	•
	Standard	Standard	Standard	Standard	Standard	Standard	Standard	Standard	Standard
		•	•						
				•					
					•	•	•	•	•
					•	•	•	•	•
	•	•	•	•	•	•	•	•	•
	Standard	Standard	Standard	Standard	Standard	Standard	Standard	Standard	Standard
					•	•	•	•	•
	120 L	140 L/180 L	240 L	360 L	660 L/770 L	1100 L FL	1100 L FL LIL	1100 L FL C	1100 L DL LIL



10



11



12



ABFALLBEHÄLTER & CONTAINER WEBER GmbH & Co. KG
BERGISCHE STRASSE 10-14, D-42781 HAAN, GERMANY

☎ + 49 2129 93 62 - 0 📠 + 49 2129 93 62 - 22

✉ info@w-weber.com

english

www.w-weber.com