



DFG-100 & DFG-200 SERIES GAS CONVECTION OVEN REPLACEMENT PARTS LIST



EFFECTIVE JULY 10, 2018

Superseding All Previous Parts Lists.

The Company reserves the right to make substitution in the event that items specified are not available.

ERRORS: Descriptive and/or typographic errors are subject to correction.

BLODGETT OVEN COMPANY

42 Allen Martin Drive, Essex Junction, Vermont 05452 USA Telephone: (802) 658-6600 Fax: (802) 860-3732
www.blodgett.com

P/N 53475 Rev S

SERIAL NUMBER LOCATION / KEY:

IMPORTANT: When ordering parts, please provide the model, gas type and serial number of the oven. The identification plate is located on the left side of the combustion compartment and, also, above the control panel under the ledge.

SERIAL NUMBER IDENTIFICATION CODE:

R / RA DFG100 W/RH CONTROLS

E / EA DFG200 W/RH CONTROLS

LB DFG100 W/LH CONTROLS

LC DFG200 W/LH CONTROLS

SERIAL NUMBER EXAMPLES

062001RA001T (NEW STYLE)

06/20/01 = DATE

RA = LETTER CODE FOR DFG100

001 = FACTORY SEQUENCE

T = TOP OVEN

OR

0685R1820101

06/85 = MONTH & YEAR

R = LETTER CODE FOR DFG100

1820101 = FACTORY SEQUENCE

TO OBTAIN LITERATURE:

Email: literature@blodgett.com

or visit

www.blodgett.com

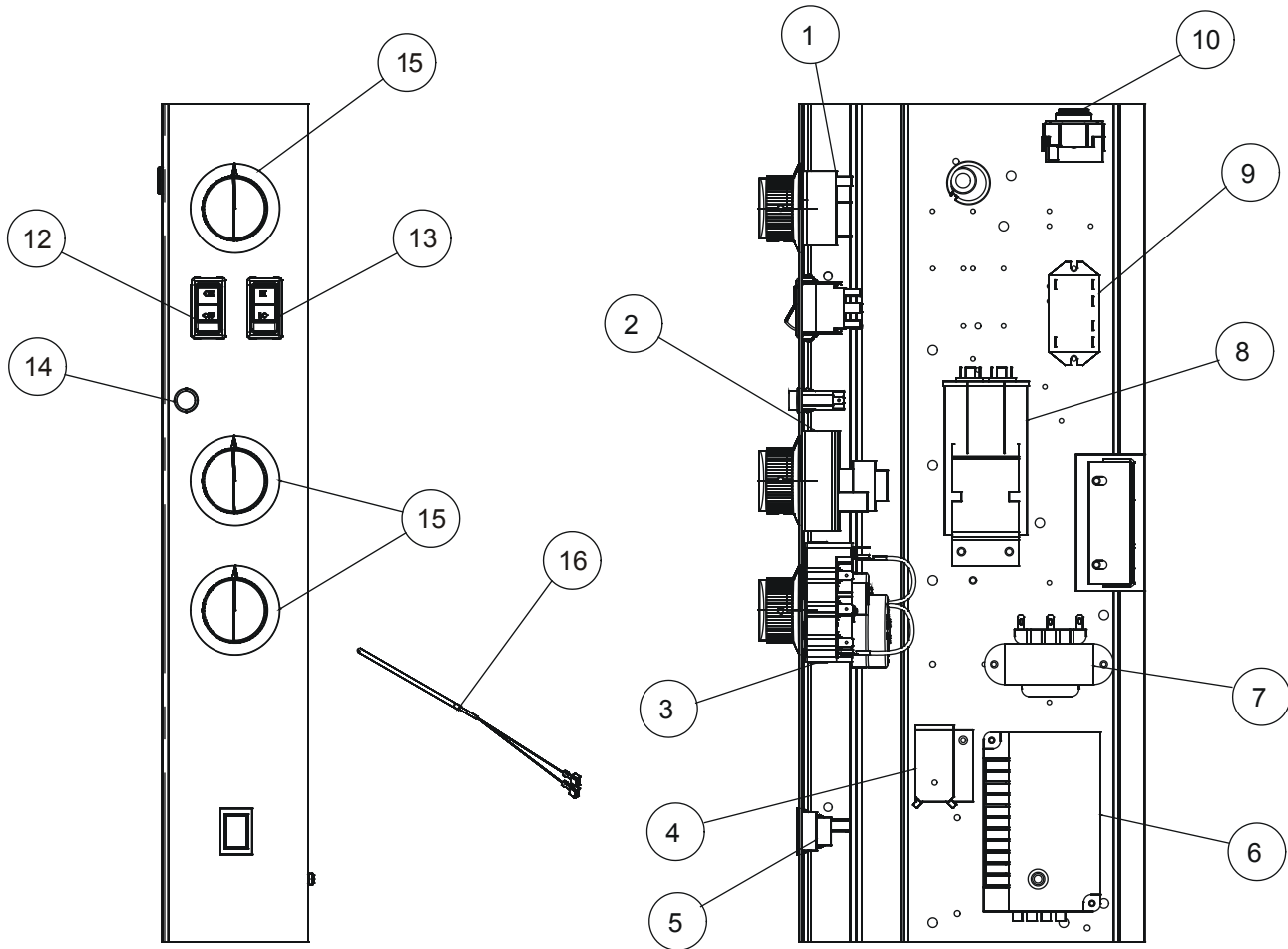
TABLE OF CONTENTS

◆ Doors Are Not Returnable

SOLID STATE INFINITE CONTROLS, UNITS AFTER 11-15-06	4
SOLID STATE INFINITE CONTROLS WITH DIGITAL TIMER	5
SOLID STATE INFINITE CONTROLS, CE UNITS AFTER 10-16-07	6
SOLID STATE INFINITE CONTROLS	7
SOLID STATE INFINITE COOK & HOLD CONTROLS	8
SOLID STATE INFINITE HUMIDAIRE CONTROLS	9
SOLID STATE 8 SET POINT CONTROLS	10
SOLID STATE INFINITE/8 SET POINT FAN DELAY CONTROLS.....	11
SOLID STATE DIGITAL CONTROLS, 5 KEY.....	12
INTELLIHOLD & INTELLIPLUS CONTROLS.....	14
INTELLITOUCH CONTROLS, 17 KEY.....	15
INTELLITOUCH II CONTROLS, 33 KEY.....	16
IQ2 CONTROLS, 21 KEY	17
CHPRO 3 CONTROLS, 14 KEY	18
SMARTOUCH CONTROLS	19
MECHANICAL COOK & HOLD HOT SURFACE IGNITION	20
EXPLODED INTERIOR VIEW	21
INTERIOR COMPONENTS W/EXTERIOR VIEW	22
BURNER & PIPING COMPONENTS	23
GAS STACK ASSEMBLIES	24
EXTERIOR VIEW	25
DOOR COMPONENTS	26
LOWER DOOR SUPPORT COMPONENTS	28
ACCESSORIES	30
ROLL-IN UNITS & PARTS	31
BOSTON MARKET, ARBY'S & EXCLUSIVE TO EXPORT	32

SOLID STATE INFINITE CONTROLS

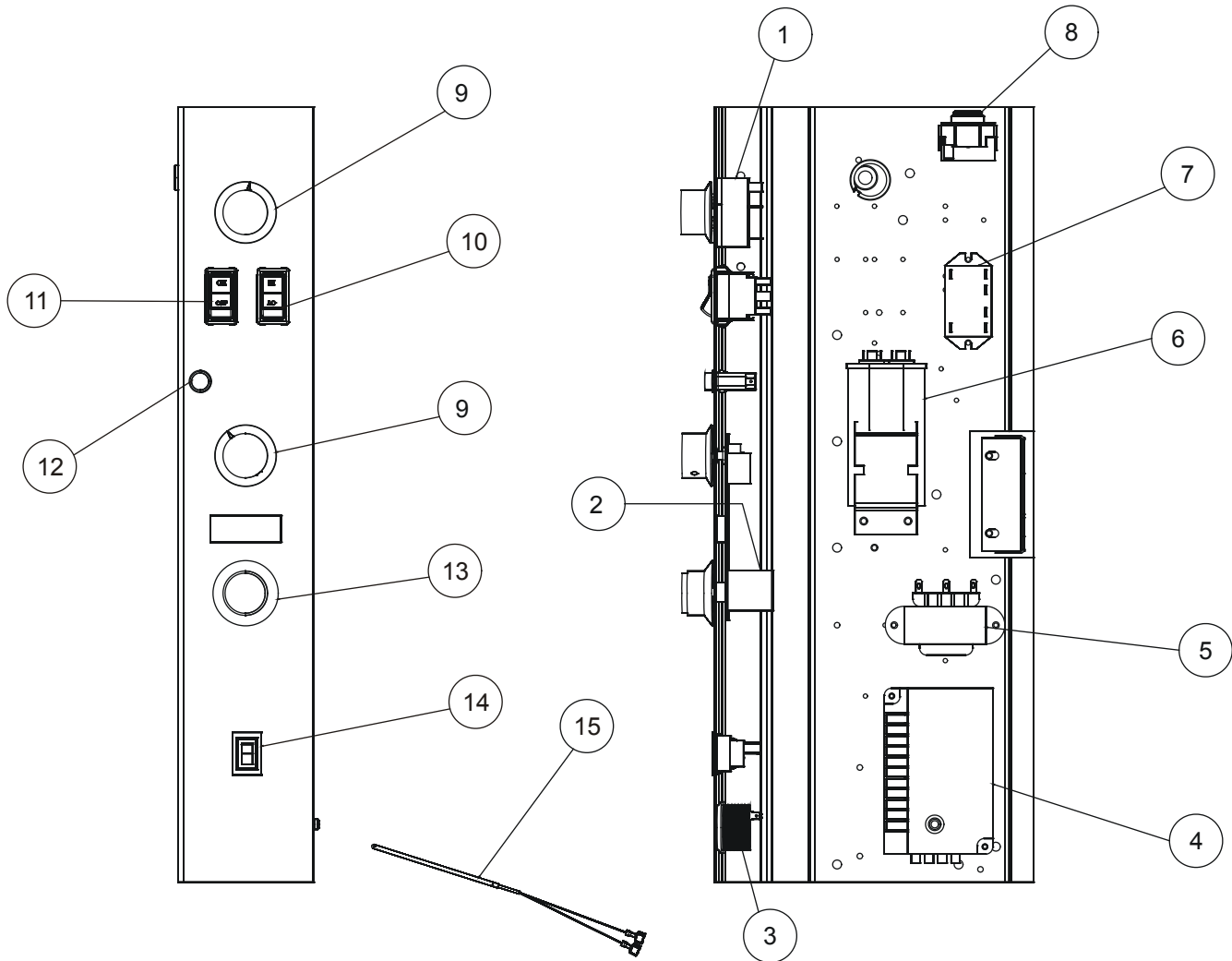
DOMESTIC MODELS MANUFACTURED AFTER 11/15/06
EXPORT MODELS MANUFACTURED AFTER 1/27/08



Ref. No.	Part No.	Description
1	18868	MODE SWITCH W/SCREWS
2	33152	TEMPERATURE CONTROL, BEFORE 9/10/13
	57372	TEMPERATURE CONTROL AFTER 9/10/13
3	18225	TIMER, 60 MINUTE 120V 60 CYCLE
	21510	TIMER, 6 HOUR 120V 60 CYCLE
	19518	TIMER DIAL, 6 HOUR ONLY
	18226	TIMER, 60 MINUTE 240V 60 CYCLE (EXPORT ONLY)
	20084	TIMER, 60 MINUTE 240V 50 CYCLE (EXPORT ONLY)
4	20349	BUZZER, 120V
	20350	BUZZER, 240V (EXPORT ONLY)
5	36376	GAS SWITCH
6	20348	IGNITION CONTROL
7	20355	TRANSFORMER W/SCREWS, 120V PRI - 24V SEC
	20356	TRANSFORMER W/SCREWS, 230V PRI - 24V SEC (EXPORT ONLY)

Ref. No.	Part No.	Description
8	23077	CAPACITOR (2 SPEED ONLY)
9	37058	RELAY, 24V
10	36755	THERMAL SWITCH
12	16530	SWITCH, DPST WHITE ON/OFF
13	20530	SWITCH, 3PDT BLACK HI/LOW (2 SPEED ONLY)
14	18265	INDICATOR LIGHT, 28V
15	16686	KNOB
	55481	KNOB, SOFT-TOUCH (DARDEN BRANDS ONLY)
16	18588	PROBE, TEMP 100K THERMISTER, BEFORE 9/9/13
	57562	PROBE, TEMP 1K RTD, AFTER 9/9/13
	22301	FAN, COOLING, 120V, 4"
	23034	FAN, COOLING, 230V, 4"
	19086	PROBE, GROMMET, RUBBER, 5/8"
	19087	GROMMET, NYLON, SPLIT
	39108	TERMINAL BLOCK (7 TERMINAL POSITIONS)
	38605	TERMINAL BLOCK
17	57377	PANEL & DECAL, BEFORE 9/10/13
	57380	PANEL & DECAL, AFTER 9/9/13
	57375	MODULE ASSY, W/PROBE, 60 HZ

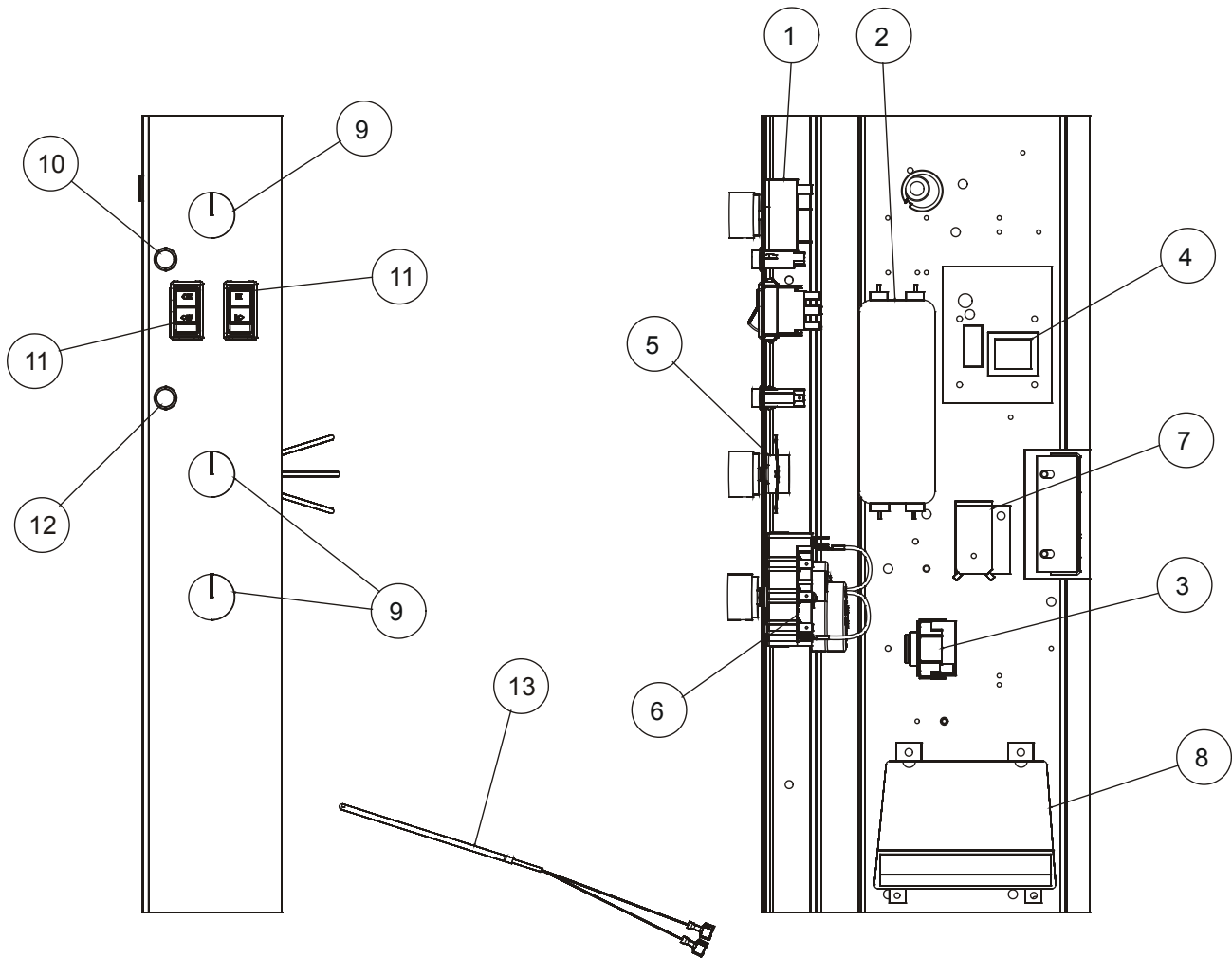
SOLID STATE INFINITE CONTROLS WITH DIGITAL TIMER



Ref. No.	Part No.	Description	Ref. No.	Part No.	Description
1	18868	MODE SWITCH W/SCREWS	13	36617	KNOB W/O ARROW
2	56282	TEMPERATURE CONTROL W/DIGITAL TIMER, BEFORE 9/25/13	14	36376	GAS SWITCH
	57561	TEMPERATURE CONTROL W/DIGITAL TIMER, AFTER 9/24/13	15	18588	PROBE, 100K OHM, 1/4" TERMINALS, BEFORE 9/25/13
3	52668	BEEPER		57562	PROBE, 1K OHM, 3/16" TERMINALS, AFTER 9/24/13
4	20348	IGNITION CONTROL		22301	FAN, COOLING, 120V, 4"
5	20355	TRANSFORMER W/SCREWS, 120V PRI - 24V SEC		19086	PROBE, GROMMET, RUBBER, 5/8"
	20356	TRANSFORMER W/SCREWS, 230V PRI - 24V SEC		19087	GROMMET, NYLON, SPLIT
6	23077	CAPACITOR		57564	MODULE W/PROBE, 115V WITH RH CONTROLS
7	37058	RELAY, 24V		57567	PANEL & DECAL, INF W/DIGITAL TIMER, RH CONTROLS
8	36755	THERMAL SWITCH			
9	36616	KNOB W/ARROW			
10	20530	SWITCH, 3PDT BLACK HI/LOW			
11	16530	SWITCH, DPST WHITE ON/OFF			
12	18265	INDICATOR LIGHT, 28V			

SOLID STATE INFINITE CONTROLS

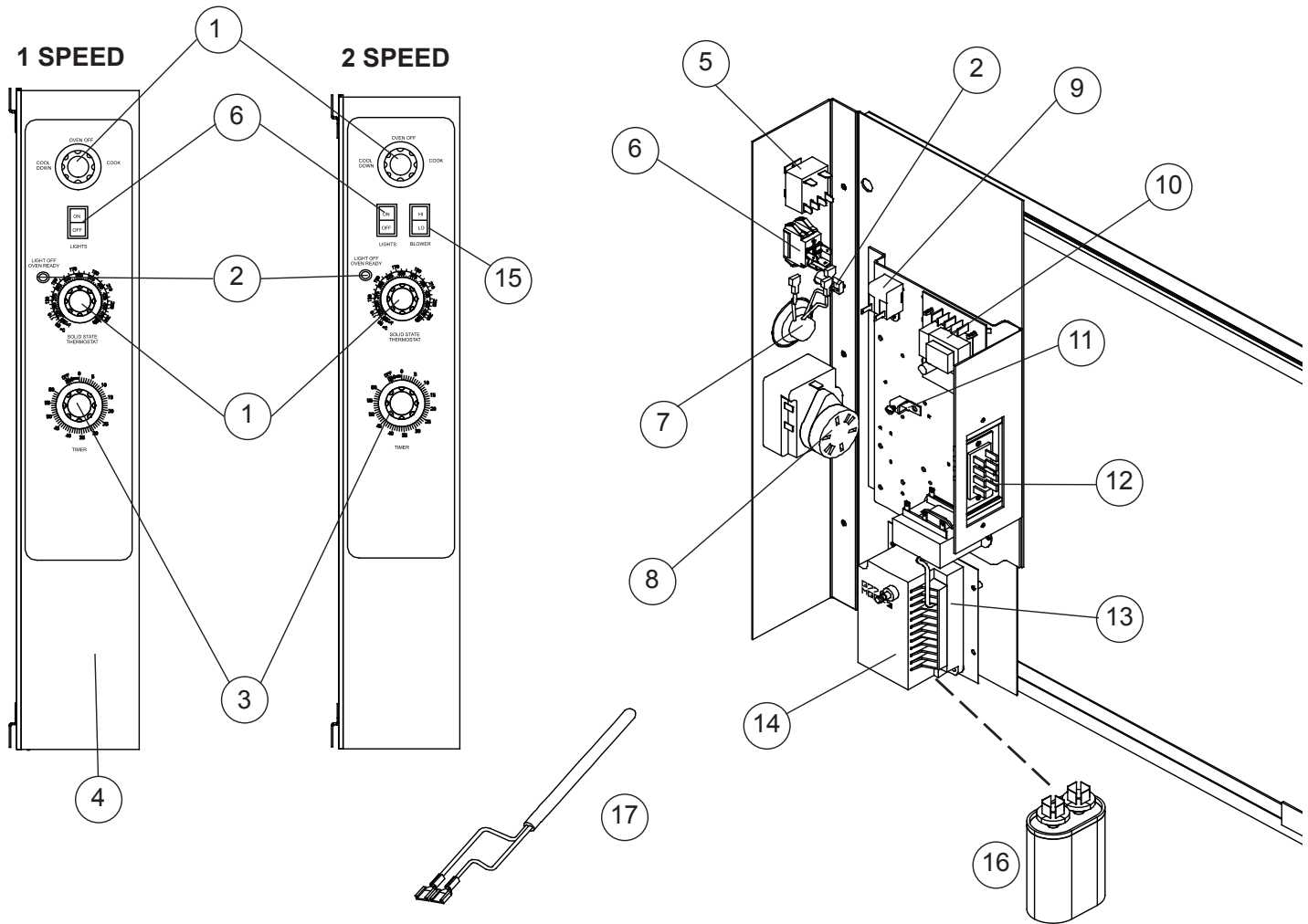
CE MODELS MANUFACTURED AFTER 10-16-07



Ref. No.	Part No.	Description
1	18868	MODE SWITCH W/SCREWS
2	53010	NOISE FILTER
3	36755	THERMAL SWITCH
4	18578	TEMPERATURE CONTROL
5	18234	POTENTIOMETER
6	20084	TIMER, 60 MINUTE 240V 50 CYCLE
7	20350	BUZZER, 240V
8	53009	IGNITION CONTROL, 230V DSI
9	24684	KNOB
10	16539	INDICATOR LIGHT, AMBER 250V
11	30517	SWITCH, DPST BLACK
12	16037	INDICATOR LIGHT, RED 250V
13	18588	PROBE
	23034	FAN, COOLING, 230V, 4"
	19086	PROBE, GROMMET, RUBBER, 5/8"
	19087	GROMMET, NYLON SPLIT

SOLID STATE INFINITE CONTROLS 1 & 2 SP

MODELS MANUFACTURED BEFORE 11/15/06

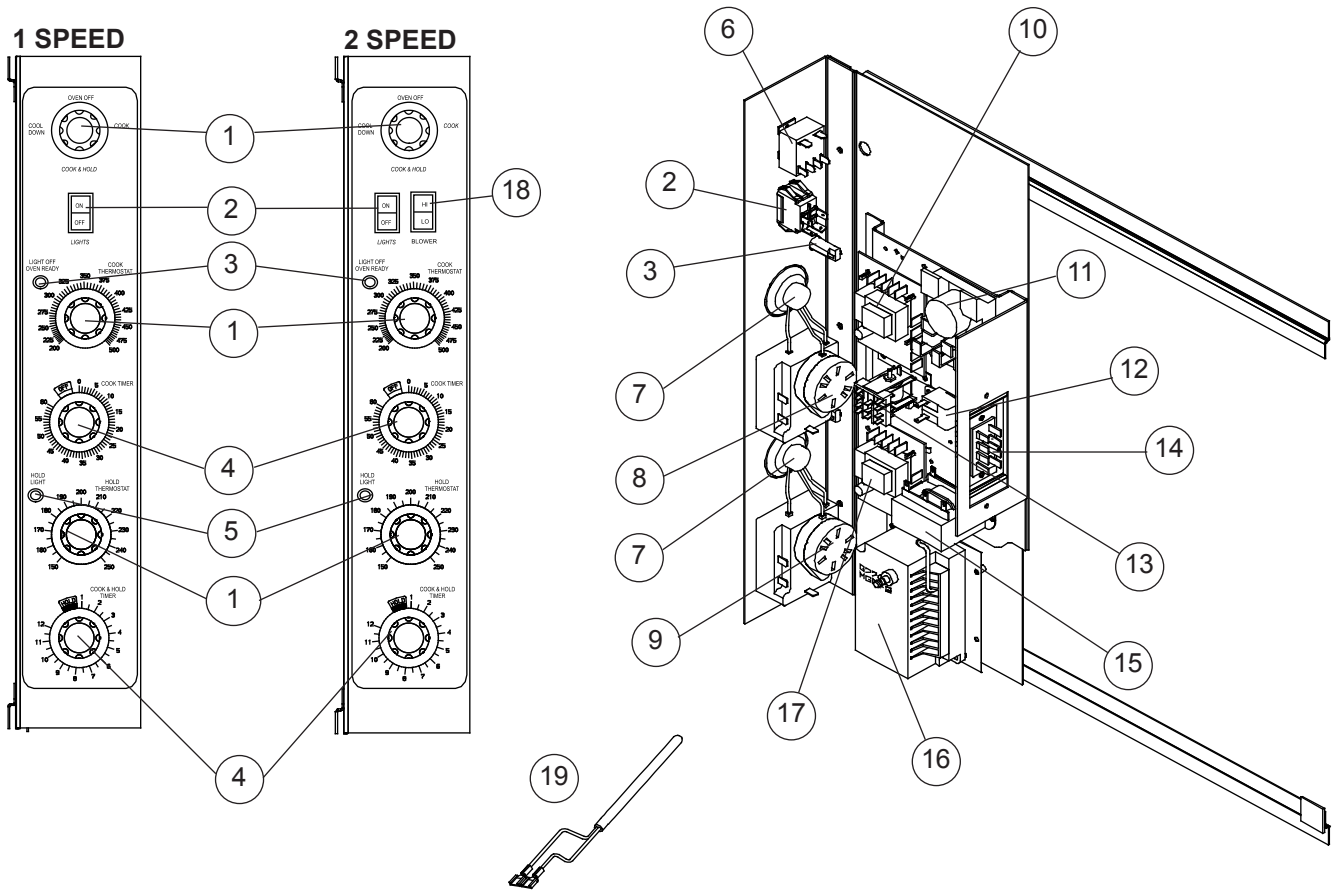


Ref. No.	Part No.	Description
10	18578	Controller, Temperature, Solid State Board
17	18588	Probe, Temperature, Solid State
7	18234	Potentiometer, Remote Infinite Control
8	18225	Timer, 60 Minute, 120V, 60 HZ
5	18868	Mode Selector Switch, 3 pos, 1 & 2 SP
3	16686	Knob, Replacement, for Timer
1	16686	Knob, Replacement, for Potentiometer & Mode Selector
6	6497	Light Switch, SPST, White
15	20530	Blower Switch, Rocker, 3PDT, Black, 2 SP Marked Hi-Lo, for Fan Speed
2	18265	Indicator Light, Round, Red 28V
9	20349	Buzzer, 120V
13	20355	Transformer 115V to 24V
14	20348	Spark Box Nat & LP
11	90034	Grounding Lug
	3574	Terminal Block, (Power- 4 screws)
	30503	Terminal Block, (1/4" spade con.)
	21134	Axial Fan, Low Velocity, 115V, 60 HZ (Qty 2)

Ref. No.	Part No.	Description
16	23077	Capacitor, Electrolytic 2 SP
12	20662	Quick Disconnect Plug Assy 1 SP only
	90047	Socket, for Quick Disconnect Plug 1 SP only
	16326	Test Cord
4	18284	Control Panel Assy, Porcelain 1 SP
	18357	Wiring Harness, front 8 Set Point & Inf. 1 SP
	20018	Wiring Harness, front 8 Set Point & Inf. 2 SP
	18360	Module Assy, Infinite 1 SP
	17482	Harness, Rear Connecting for Module 1SP
	22055	Module Assy, Infinite 2 SP
	57003	Panel & Decal, 2 SP Infinite
	21591	Harness, Rear Connecting for Module 2 SP
NOTE:		Modules include EVERYTHING pictured above, except probe.
	16371	Plate, mounting (for spark plug wire)
	22310	Transducer
	33939	Clip, probe
	36949	Spacers, nylon (for controller) (set of 4)

SOLID STATE INFINITE, COOK & HOLD CONTROLS - 1 & 2 SP

MANUFACTURED AFTER 07/86



Ref. No.	Part No.	Description
12	20349	Buzzer, 120V
5	15709	Indicator Light, Amber, Round (Hold Only)
3	18265	Indicator Light, Red, Round (Cook Only)
4	16686	Knob, for timers
1	16686	Knob, for Potentiometers & Selector Switch
8	18225	Timer 60 min
9	17864	Timer, 12 Hour (After 4/19/85)
9	17988	Timer, Conversion, 12 hour w/Knob (Before 4/19/85)
6	20347	Mode Selector Switch w/o Knob, 4 pos.
10	18578	Controller, Cook Temperature
17	20351	Controller, Hold Temperature (150-250°F)
7	18234	Potentiometer, Qty 2
2	6497	Rocker Switch, Lights SPST White
15	20355	Transformer, 115V to 24V
11	90043	Relay, Motor, DPDT, 120V, 30 Amp.
13	18587	Relay, 3PDT, 120V w/ Bracket
14	20662	Quick Disconnect, Plug Assy 1 SP only
	90047	Socket, Quick Disconnect Plug Assy 1 SP only
	16326	Test Cord

Ref. No.	Part No.	Description
16	20348	Spark Box, Nat & LP
	3574	Terminal Block, (Power- 4 screws)
	30503	Terminal Block, (1/4" spade con)
	21134	Axial Fan, Low Velocity, 115V, 60 HZ Qty 2
18	20530	Rocker Switch, Blower 2 SP
	23077	Capacitor, Electrolytic 2 SP only
19	18588	Probe, Temperature (for both controllers)
	17482	Harness, Rear Connecting 1 SP
	21591	Harness, Rear Connecting 2 SP

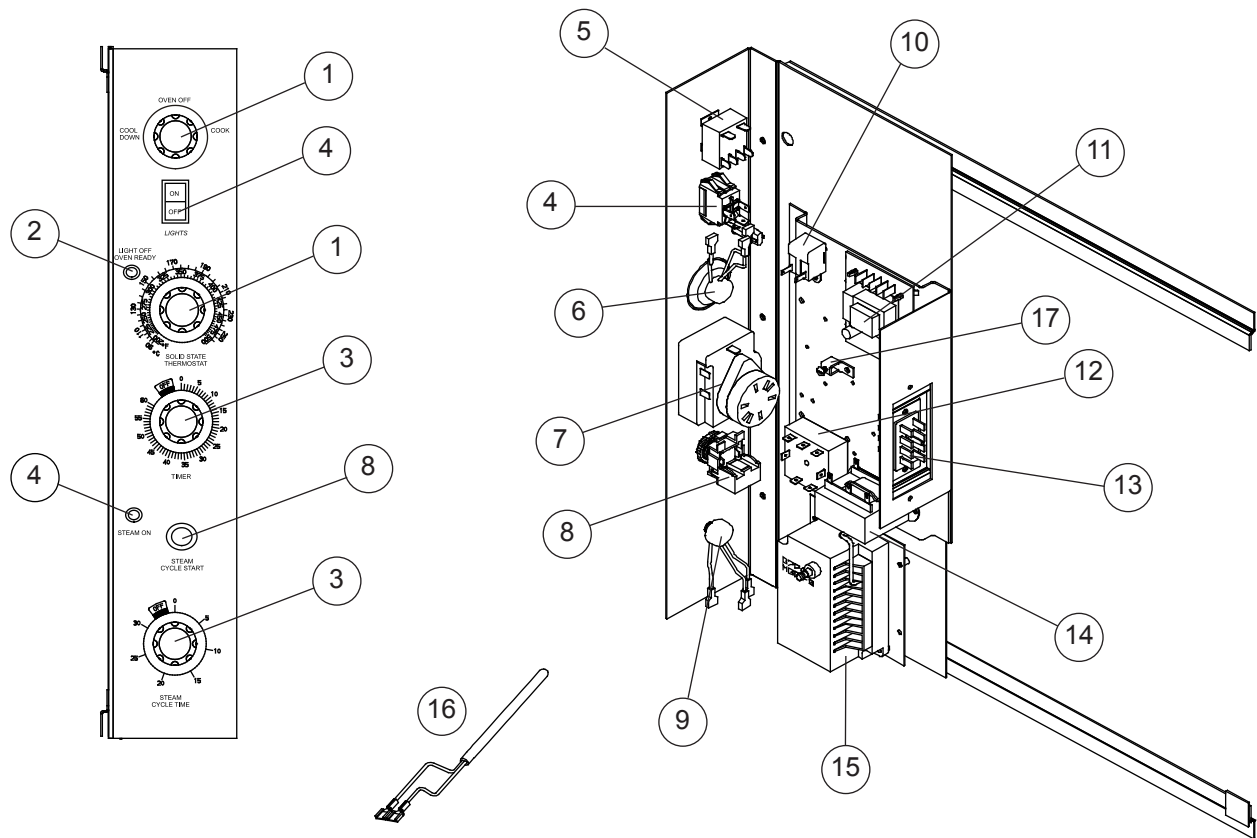
NOTE: Modules include EVERYTHING pictured above

34689 Capacitor, snubber (attached to spark box)

Conversion From Hot Surface Ignition to Spark Ignition

18702	Natural
18703	LP

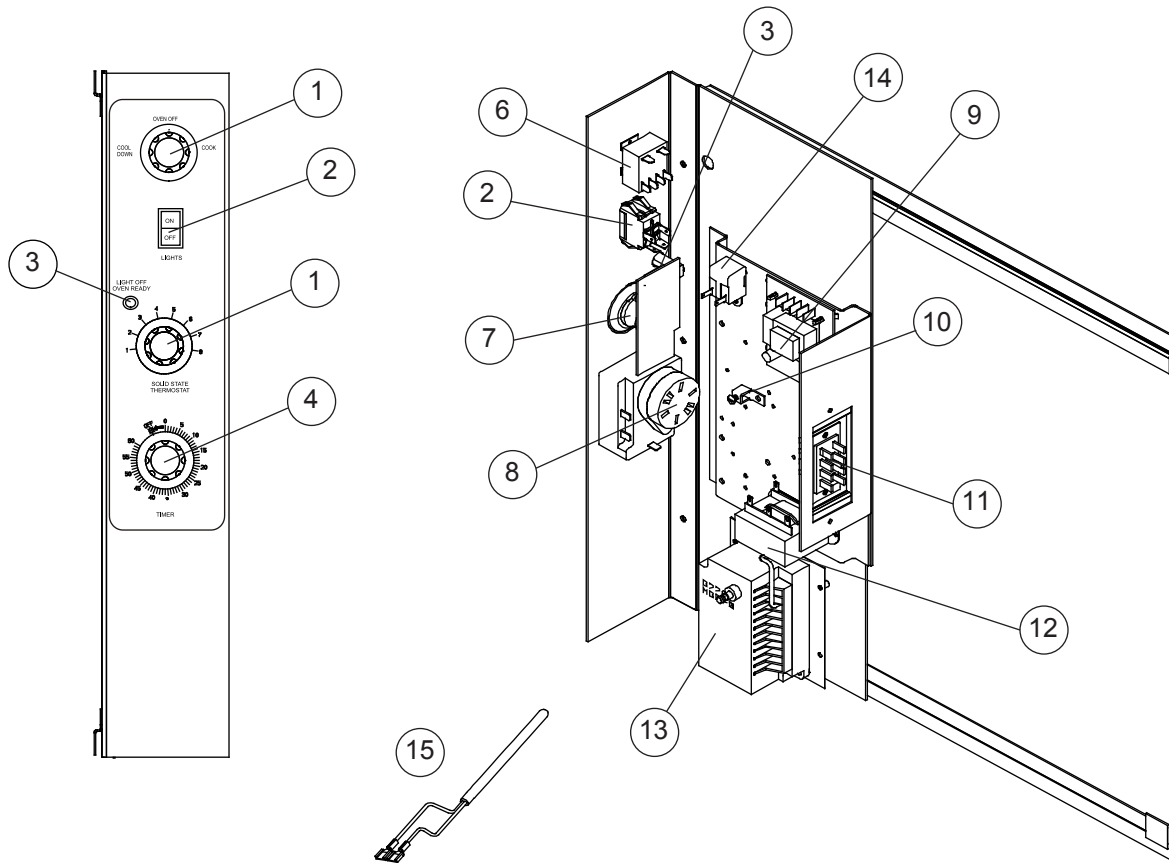
SOLID STATE INFINITE HUMIDAIRE CONTROLS 1 SP



Ref. No.	Part No.	Description
1	16686	Knob, Mode Selector Switch and Potentiometer Cook Thermostat
2	18265	Indicator Light, Red, Round 28V
3	16686	Knob, 60 Minute Timer and Potentiometer Steam
4	18266	Indicator Light, 125V, Blue, Round
5	18868	Mode Selector Switch, 3 pos
6	18234	Potentiometer, Cook Thermostat
7	18225	Timer, 60 Minute Cook
8	18580	Switch & Block, Humidaire Momentary
9	18439	Potentiometer, Steam Duration Time
10	20349	Buzzer
11	18578	Controller, Temperature
16	18588	Probe, Temperature
12	18318	Timer, S.S. Steam Duration, 120V
13	20662	Plug Assy, Quick Disconnect 1 SP only
	90047	Socket, Plug Assy 1 SP only
	16326	Test Cord
14	20355	Transformer 115V to 24V
15	20348	Spark Box, Nat & LP
	34689	Capacitor, Spark Box
17	90034	Grounding Lug

Ref. No.	Part No.	Description
	3574	Terminal Block, (Power- 4 screws)
	30503	Terminal Block, (1/4" spade con)
	30503	Terminal Block,
	21134	Axial Fan, Low Velocity, 115V, 60 HZ Qty 2
	18314	Switch, Thermal
	18300	Valve, Water Solenoid, 120V, 60 HZ
	18310	Nozzle Assy, Spray
	18384	Filter Assy., Water
	18385	Filter, Cartridge Replacement
	18287	Control Panel, Porc., 8 Set Point
	18285	Control Panel, Porc., Infinite
	18357	Wiring Harness, front for Infinite Cook Thermostat
	18366	Wiring Harness, front for steam injection
	17482	Harness, Rear Connecting
	NOTE:	Modules include EVERYTHING pictured above, except probe
	18300	Valve, water solenoid 120V
	18310	Orifice, steam
	18303	Thru pipe and nozzle assy
	18314	Switch, Thermal, 5 PNO

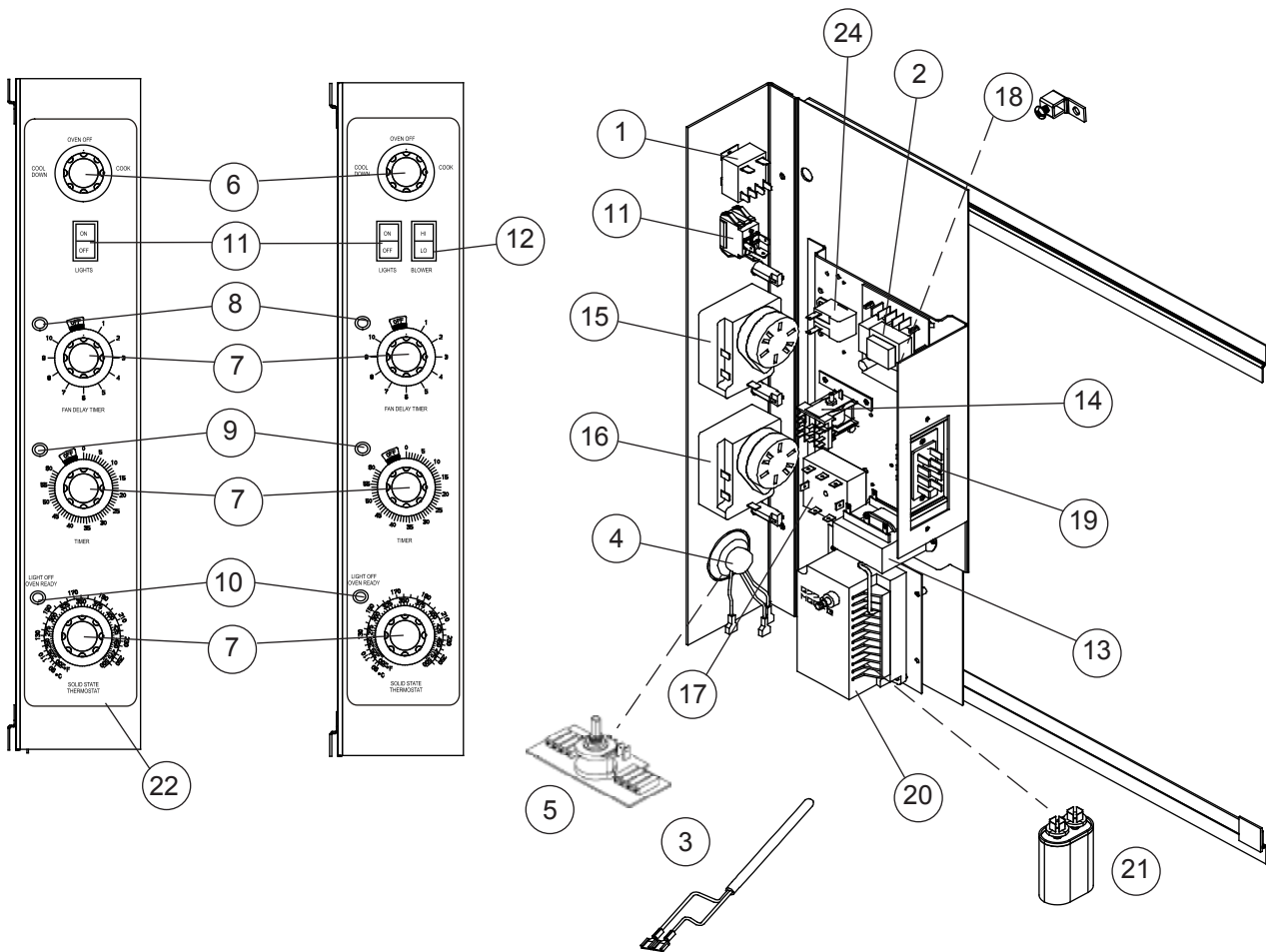
SOLID STATE 8 SET POINT CONTROLS 1 SP



Ref. No.	Part No.	Description
1	16686	Knob, Replacement, for 8 Pos Switch & Mode Selector Switch
2	6497	Rocker Switch, Lights
3	18265	Indicator Light, Red, Round 28V
4	16686	Knob, Timer
6	18868	Mode Selector Switch 1 SP
7	18577	Switch, 8 position potentiometer
NOTE: Specify 8 temps to program if other than standard. STD: 275/300/325/350/375/400/425/450		
8	18225	Timer, 60 Minute, 120V, 60 HZ
9	18578	Controller, Temperature, Solid State Board
15	18588	Probe, Temperature, Solid State
10	90034	Grounding Lug

Ref. No.	Part No.	Description
	3574	Terminal Block, (Power- 4 screws)
	30503	Terminal Block, (1/4" spade con)
	21134	Axial Fan, Low Velocity, 115V, 60 HZ Qty 2
11	20662	Quick Disconnect Plug Assy 1 SP only
	90047	Socket, Quick Disconnect 1 SP only
	16326	Test Cord
14	20349	Buzzer, 120V
12	20355	Transformer, 115 to 24V
13	20348	Spark Box Nat & LP
	34689	Capacitor, Spark Box
	18357	Wiring Harness, front 8 Set Point & Inf. 1 SP
	20018	Wiring Harness, front 8 Set Point & Inf. 2 SP
	17482	Harness, Rear Connecting for Module 1SP

INFINITE & 8 SET POINT FAN DELAY AND PULSE PLUS 1 & 2 SP

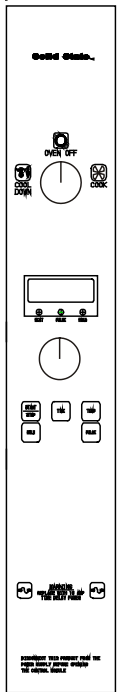


Ref. No.	Part No.	Description	Ref. No.	Part No.	Description
1	18868	Mode Selector Switch	14	18587	Relay, 3PDT, 120V w/ Bracket
2	18578	Controller, Temperature Solid State	15	18290	Timer, 10 Minute, Fan Delay 115 VAC, 60 HZ
3	18588	Probe, Temperature	16	18292	Timer, 30 Minute, Fan On 120 VAC, 60 HZ
4	18234	Potentiometer, Remote, Infinite Control **See note	17	21051	Timer, Solid State, Pulsing, 120V
5	18577	Switch, 8 position potentiometer	24	20349	Buzzer
NOTE:		Select either 18577 OR 18234 An oven cannot have both features.		3574	Terminal Block, (Power- 4 screws)
NOTE:		Specify 8 temps to program if other than standard. STD: 275/300/325/350/375/400/425/450		30503	Terminal Block, (1/4" spade con.)
6	16686	Knob, Selector Switch		21134	Axial Fan, Low Velocity, 115V, 60 HZ Qty 2
7	16686	Knob, Control	18	90034	Grounding Lug
8	15709	Indicator Light, 125V, Amber, Round	19	20662	Quick Disconnect, Plug Assy 1 SP only
9	15673	Indicator Light, 125V, Red, Round		90047	Socket, Quick Disconnect 1 SP only
10	18265	Indicator Light, 28V, Red, Round		16326	Test Cord
11	6497	Rocker Switch, Lights SPST White	20	20348	Spark Box Nat & LP
12	20530	Rocker Switch, Blower 3PDT Black 2 SP		34689	Capacitor, Spark Box
13	20355	Transformer, 115 to 24V	21	23077	Capacitor, Electrolytic 2 SP ONLY
			22	18678	Control Panel, Porc., Infinite 1 SP
				17482	Harness, Rear Connecting for Module 1 SP
				20009	Harness, Rear Connecting for Module 2 SP

SOLID STATE DIGITAL CONTROLS 1 & 2 SP TIME & TEMPERATURE CONTROL

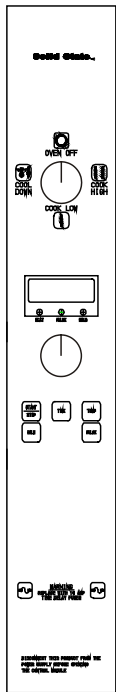
5 KEYS

1 SPEED

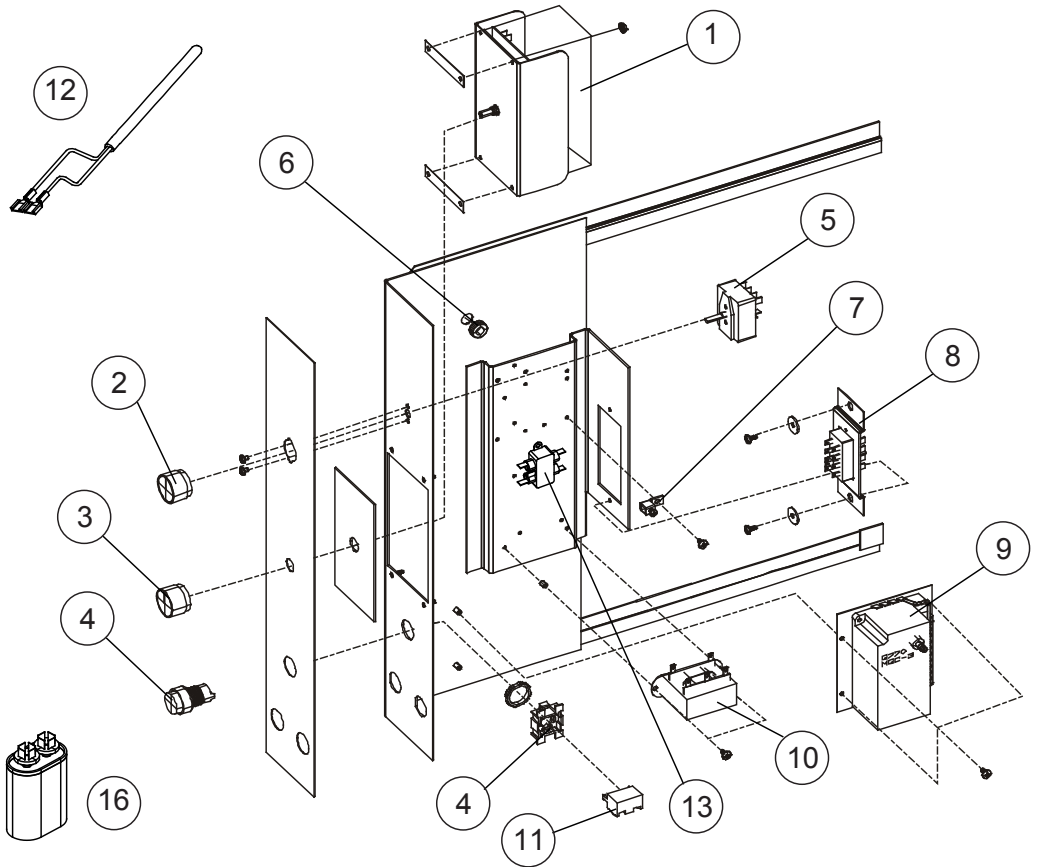


14

2 SPEED



15



SOLID STATE DIGITAL CONTROLS 1 & 2 SP TIME & TEMPERATURE CONTROL

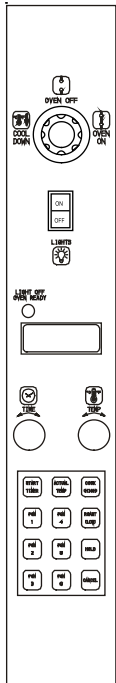
5 KEYS

Ref. No.	Part No.	Description	Ref. No.	Part No.	Description
1	30658	Controller, Solid State Digital Time and Temperature Thermistor (Before 10/13/15)		3574	Terminal Block, (Power, 4 screws)
	58718	Controller, Solid State Digital RTD (After 10/12/15)		30503	Terminal Block, (1/4" spade con.)
	24725	Silicone Spacer (Between decal & control)		21134	Axial Fan, Low Velocity, 115V, 60 HZ Qty 2
12	18588	Probe, Temperature, 100K Thermistor (Before 10/13/15)	9	22301	Fan, Cooling, 120V, 4", Qty 1
	57562	Probe, Temperature, 1K RTD (After 10/12/15)		23034	Fan, Cooling, 230V, 4", Qty 1
4/11	30662	Momentary Light Switch Kit, Round (Before 11/15/06)	16	20348	Spark Box, LP & Nat
	NOTE:	Contains 1 each of 18295 & 18296	10	34689	Capacitor, Spark Box
4	18295	Pushbutton Switch, Momentary (Before 11/15/06)	16	23077	Capacitor, Electrolytic, 2 SP only
11	18296	Contact Block, for 18295 (Before 11/15/06)	10	20355	Transformer, 115V to 24V
	16530	Switch, DPST, White ON/OFF (After 11/15/06)	10	20356	Transformer, 230V to 24V
	20530	Switch, 3PDT, Black, HI/LOW, (After 11/15/06)		24930	Wiring Harness, front 2 SP
	18587	Relay, 3PDT, 120V w/ Bracket 2 SP only	14	30664	Control Panel & Decal, 1 SP (Before 11/15/06)
13	34552	Filter, EMI	15	30665	Control Panel & Decal, 2 SP (Before 11/15/06)
5	18868	Mode Selector Switch 3 Position		17482	Harness, Rear Connecting for Module 1 SP
5	54477	Mode Selector Switch 4 Position 2 SP (Before 11/15/06)		24739	Module Assy, S.S. Digital 2 SP (Before 11/15/06)
2	24684	Knob, Mode for 18868/20347		39937	Module Assy, Solid State Digital (After 11/15/06 and Before 10/13/15)
3	24685	Knob, Adjust Temperature for 30658		58714	Module Assy, Solid State Digital (After 10/12/15)
8	20662	Quick Disconnect Plug Assy 1 SP only		21591	Harness, Rear Connecting for Module 2 SP
	90047	Socket, Quick Disconnect Plug 1 SP only		NOTE:	Modules include EVERYTHING pictured above, except probe.
	16326	Test Cord		35074	Timer, 5 Sec Purge (LP Gas)
6	15847	Grommet, Rubber		34552	Filter EMI
7	90034	Grounding Lug		57792	Control Panel & Decal, 2 speed, LH Controls, (After 11/15/06 and Before 10/13/15)
				57791	Control Panel & Decal, 2 speed, RH Controls, (After 11/15/06 and Before 10/13/15)
				58720	Control Panel & Decal, RH Controls (After 10/12/15)
				58751	Control Panel & Decal, LH Controls (After 10/12/15)

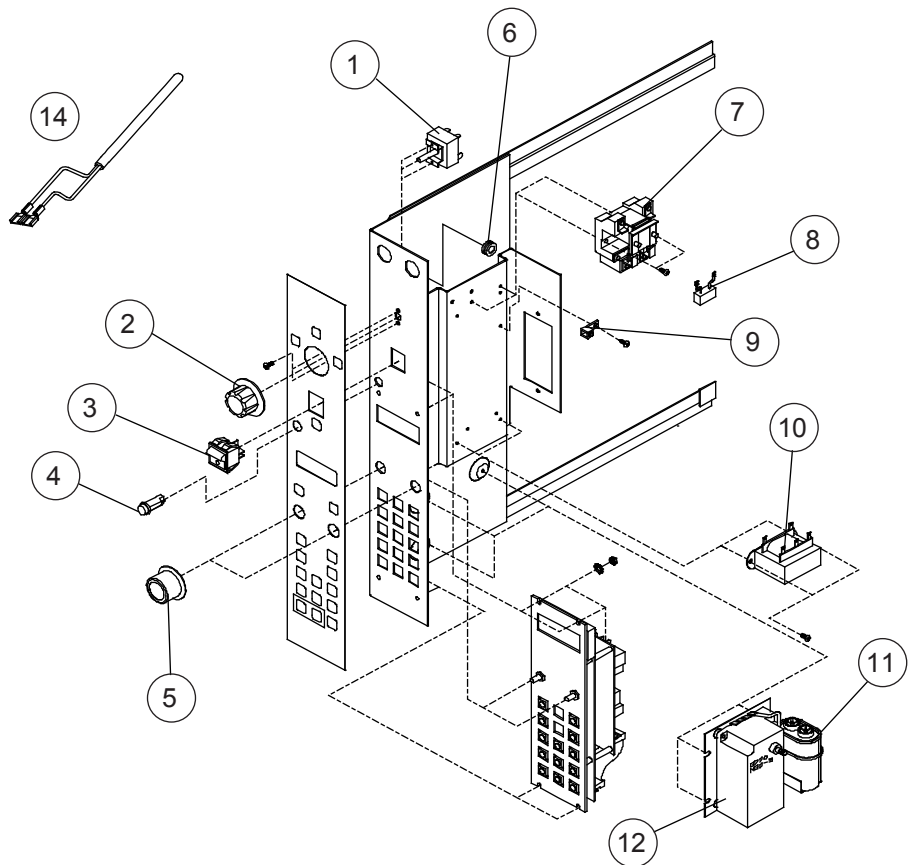
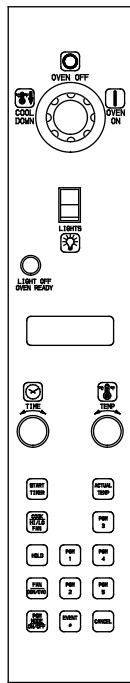
INTELLIHOLD & INTELLIPLUS CONTROLS

2 SPEED ONLY

INTELLIHOLD



INTELLIPLUS

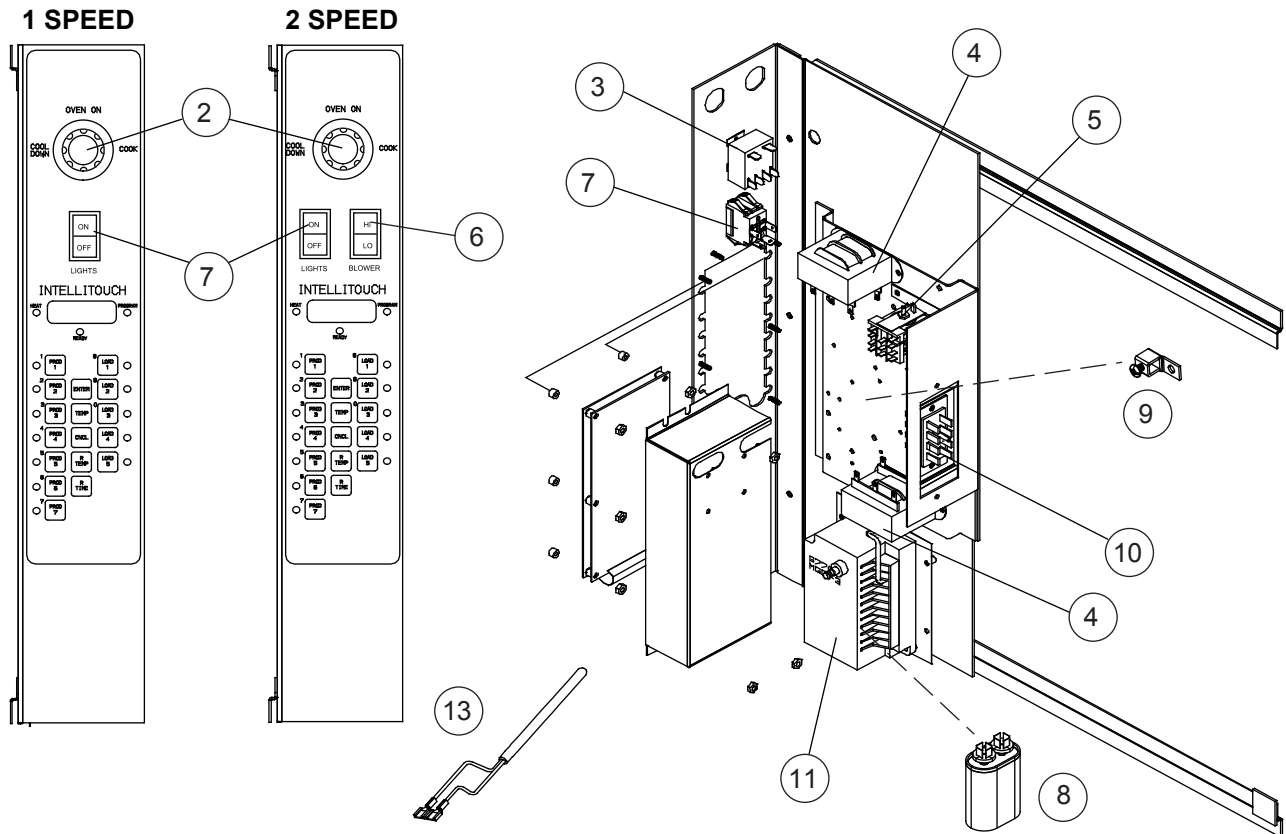


Ref. No.	Part No.	Description
1	18868	Mode Selector Switch
	36735	Conversion Kit to IQ2 Controller
14	23392	Probe, Temperature
2	16686	Knob, Mode Selector
5	24181	Knob, Time & Temp
4	18265	Indicator Light, Red, Round
3	19620	Switch, Rocker, DPST, Black
7	90043	Relay, Motor, DPDT, 120V, 30 Amp.
9	90034	Grounding Lug
	3574	Terminal Block, (Power, 4 screws)
	30503	Terminal Block, (1/4" spade con.)
	21134	Axial Fan, Low Velocity, 115V, 60 HZ Qty 2

Ref. No.	Part No.	Description
12	20348	Spark Box LP & Nat
	34689	Capacitor, Spark Box
10	20355	Transformer, 115V to 24V
8	23086	Capacitor
6	15847	Grommet
	20009	Harness, Rear Connecting for Module, Intellihold
NOTE:		Modules include EVERYTHING pictured above, except probe.
11	23077	Capacitor, Electrolytic 2 SP
	23394	Panel & Decal, Intelliplus

INTELLITOUCH CONTROLS - 1 & 2 SP

17 KEYS

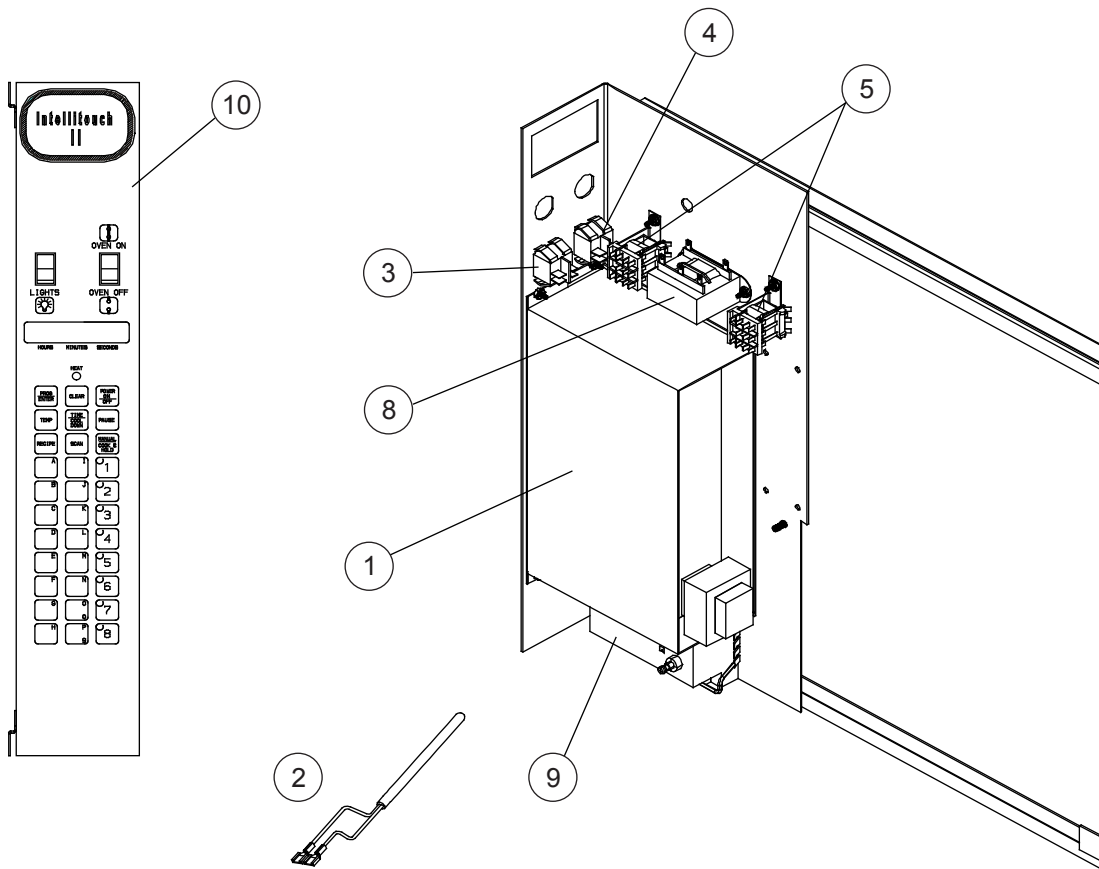


Ref. No.	Part No.	Description
	36735	Conversion to IQ2 Controller 20112 Filter, Intellitouch RFI
13	20360	Probe, Temperature
2	16686	Knob, Mode Selector Switch
3	18868	Mode Selector Switch
4	20355	Transformer, 115V to 24V Qty 2
5	19341	Relay, SPDT, 24V
6	20530	Rocker Switch, Blower 3PDT Black 2 SP
7	6497	Rocker Switch, Lights SPST White
	18934	Aluminum Spacer, for controller
9	90034	Grounding Lug
	3574	Terminal Block, (Power- 4 screws)

Ref. No.	Part No.	Description
	30503	Terminal Block, (1/4" spade con.)
	21134	Axial Fan, Low Velocity, 115V, 60 HZ Qty 2
10	20662	Quick Disconnect, Plug Assy
	90047	Socket, Quick Disconnect
	16326	Test Cord
11	20348	Spark Box Nat & LP
	34689	Capacitor, Spark Box
8	23077	Capacitor, Electrolytic 2 SP ONLY
	19588	Control Panel w/ Decal 1 SP
	17482	Harness, Rear Connecting for Module 1 SP
	20009	Harness, Rear Connecting for Module 2 SP

INTELLITOUCH II CONTROLS

33 KEYS

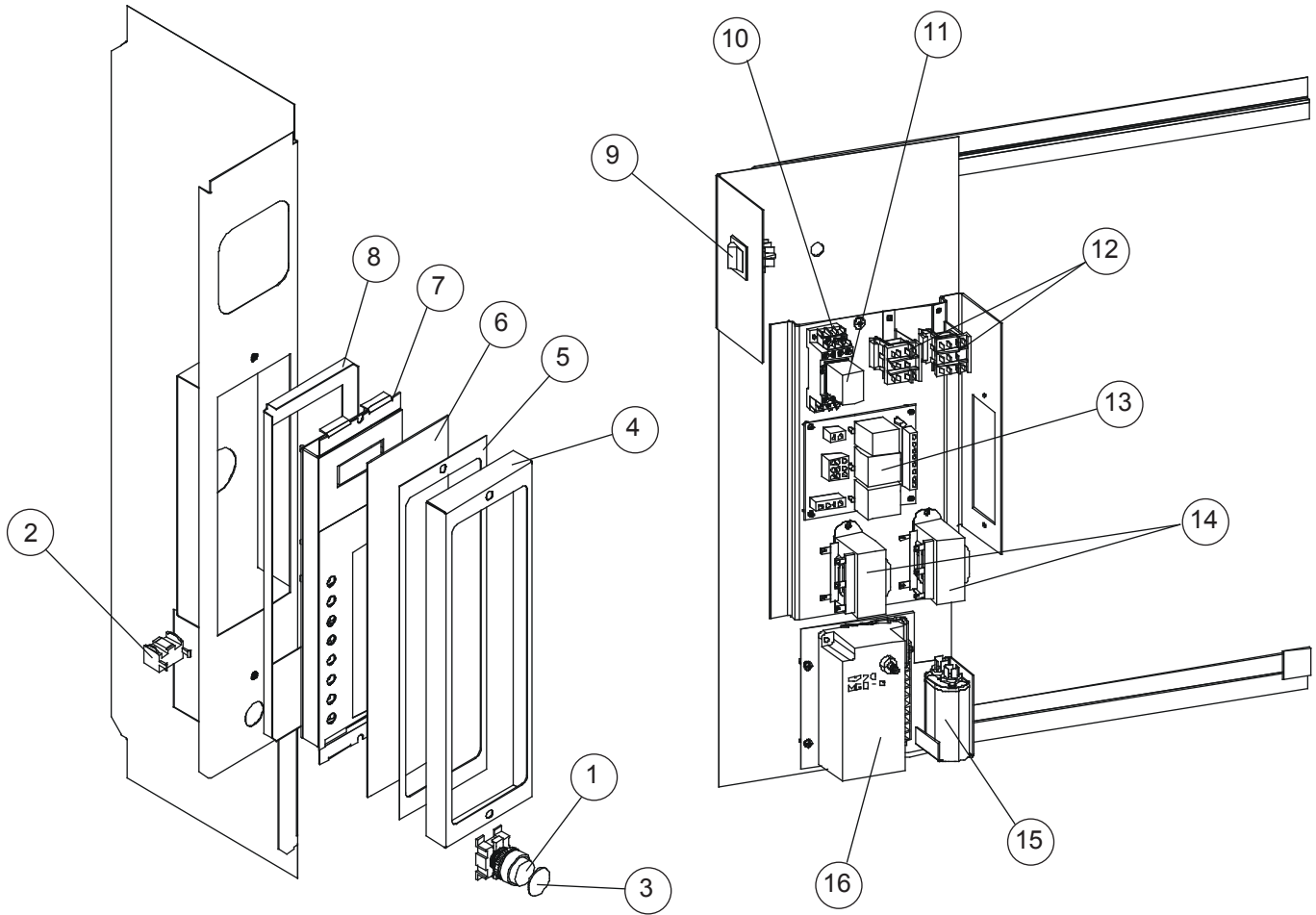


Ref. No.	Part No.	Description
1	24434	Control, Intellitouch II
2	30857	Probe, Temperature RTD 500 OHM
3	19619	Rocker Switch, DPST, Black On/Off
4	19620	Rocker Switch, DPST, Black Momentary, Lights
5	18587	Relay, 3PDT, 120V w/ Bracket Qty 2
8	20355	Transformer, 115V to 24V
	3574	Terminal Block, (Power- 4 screws)
	30503	Terminal Block, (1/4" spade con.)
9	20348	Spark Box, Nat & LP
	34689	Capacitor, Spark Box
	21134	Axial Fan, Low Velocity, 115V, 60 HZ (Qty 2)
	20009	Harness, Rear Connecting for Module 2 SP
10	5279	Thermostat Back-Up KX-38-36

NOTE: All back up components are located behind the decal

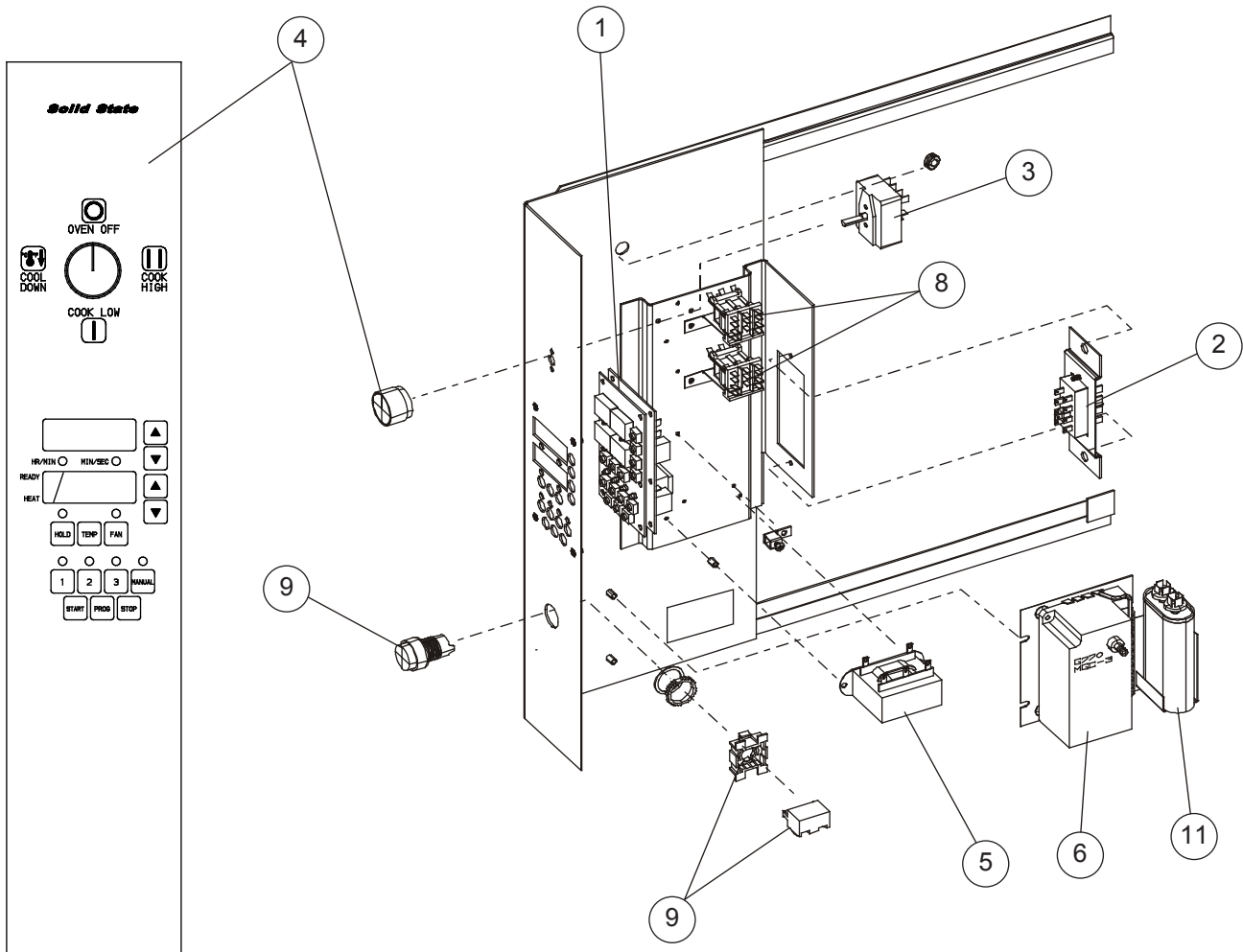
IQ2 CONTROLS

21 KEYS



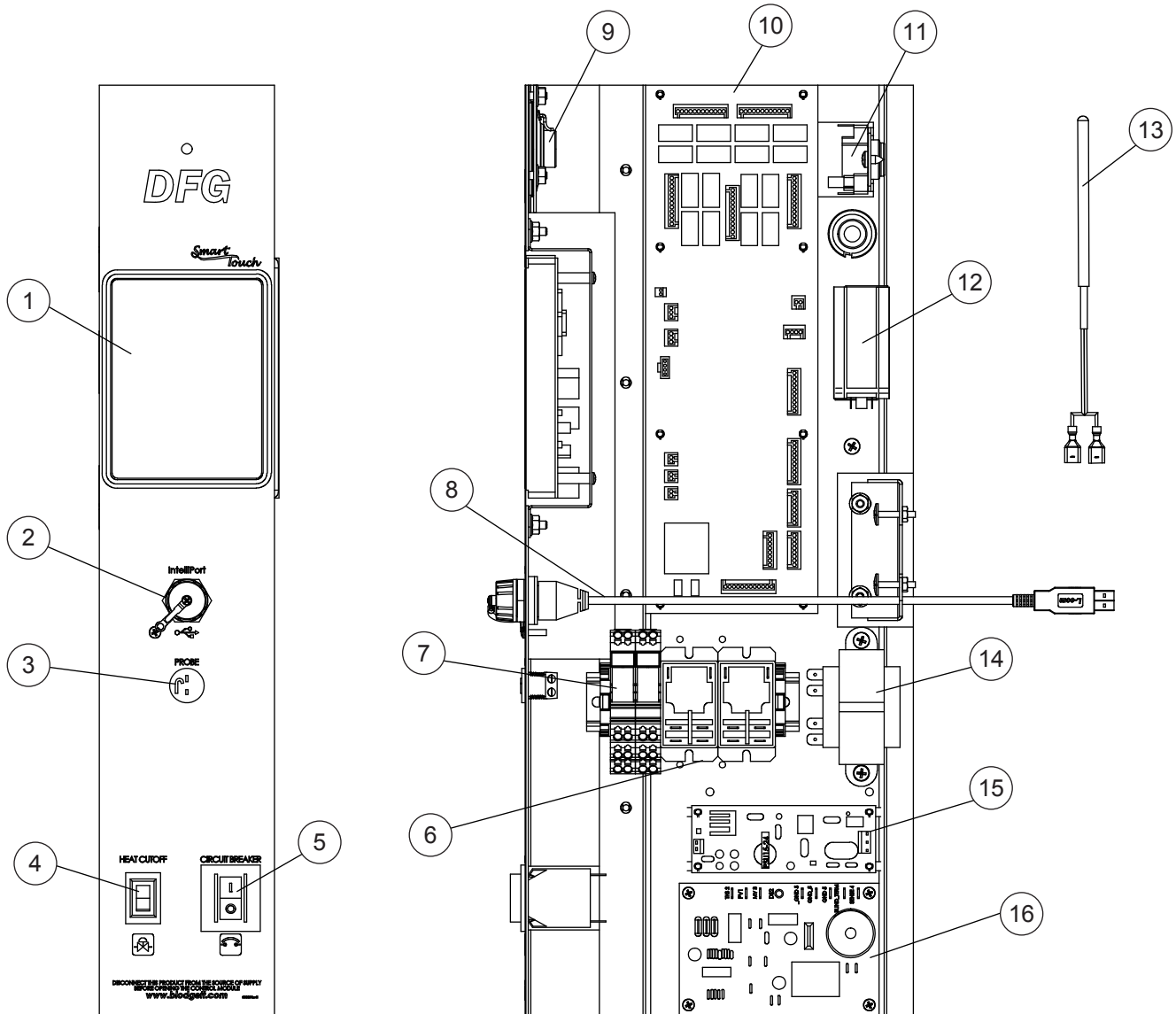
Ref. No.	Part No.	Description
1	18295	Pushbutton Switch, Momentary
2	18296	Contact Block
3	30074	Decal, Button
4	32999	Control Retainer, Front
5	33169	Retainer Gasket
6	36403	Control Decal, (Before 7/20/07)
	50829	Control Decal, (After 7/20/07)
7	37035	Control, IQ2 w/Decal
8	33151	Control Retainer, Rear
9	19619	Rocker Switch, DPST Black, ON/OFF
10	33922	Relay Socket
11	36297	Relay, 4PDT
	33923	Relay Clip
12	18587	Relay, 3PDT, 120V wBracket
13	33073	Relay Board
14	20355	Transformer, 115V to 24V
15	23077	Capacitor, Electrolytic
16	20348	Ignition Control
	33074	Probe
	21134	Axial Fan, 115V, 3" (Qty 2)
	22301	Axial Fan, 115V, 4" (Qty 1)
	3574	Terminal Block (Power - 4 Pole)
	30503	Terminal Block (1/4" Spade Connectors)
	33072	Harness, Control 24V

CH PRO 3 14 KEYS



Ref. No.	Part No.	Description
1	37087	Control, CH-102-BT
	34473	Probe, RTD 1000 OHM 36"
3	18868	Switch, Rotary 3 Position, 1 speed
3	54477	Switch, Rotary 4 Position, 2 speed
4	24684	Knob, mode
5	20355	Transformer, 115V to 24V
6	20348	Spark module, 24V
	34689	Capacitor, Spark Box
8	18587	Relay and bracket assy, 3PDT 120 V
9	30662	Momentary Light Switch Kit
	21134	Axial fax, Low Velocity, 115V 60HZ (qty 2)
2	20662	Plug Assy, quick disconnect
11	23077	Capacitor, 2 speed

SMARTOUCH CONTROLS



Ref. No.	Part No.	Description
1	55949	Control, Programmed Before 11/8/13
	57737	Control, Programmed After 11/8/13
2	52161	USB Cover
3	39781	Meat Probe Jack
	39782	Meat Probe Jack Plug
	56545	Meat Probe, 4", Dual Sensor
	56546	Meat Probe, 6", Dual Sensor
4	36376	Switch, Gas Shut-off
5	39688	Circuit Breaker 20A
6	55599	Relay, DPST, 24VDC
7	38604	Relay, DPDT, 24VDC
	39343	Jumper

Ref. No.	Part No.	Description
8	52647	USB Cable
9	59777	Speaker Kit, w/Retainers
10	53206	I/O Board, Before 11/8/13
	57727	I/O Board, After 11/8/13
11	36755	Thermal Switch
12	23077	Capacitor
13	34473	Probe, RTD, 1K
14	36700	Transformer, 120/240 to 24V
15	54604	DC Power Supply, 24V, 15W
16	20348	Ignition Control
	54330	Communication Cable

MECHANICAL COOK & HOLD, HOT SURFACE IGNITION 1 SP

MANUFACTURED 01/85 - 07/86

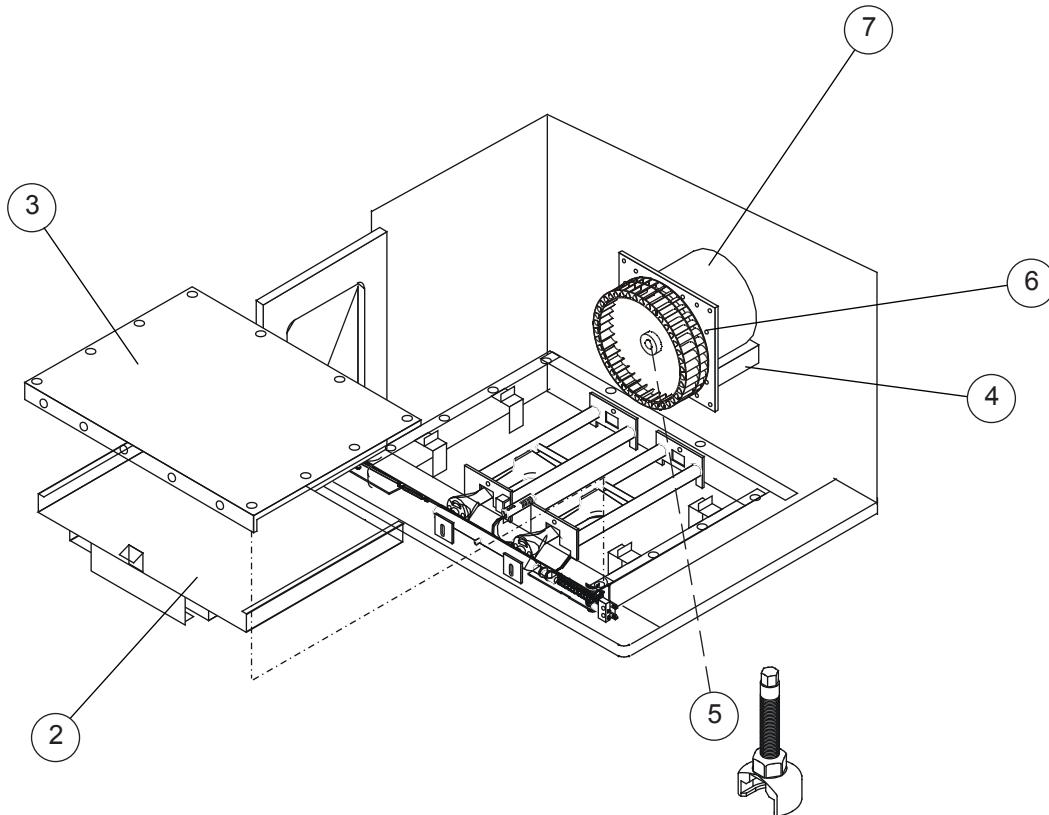
<u>Ref. No.</u>	<u>Part No.</u>	<u>Description</u>	<u>Ref. No.</u>	<u>Part No.</u>	<u>Description</u>
	11513	Thermostat, Cook Only		16372	Fuse 5 AMP
	16393	Dial, Thermostat Cook		20658	Fuse Holder
	15365	Thermostat, Hold		21435	Base & Bracket, TDR Tube, C & H, Units before 07/84
	16392	Dial, F°, Thermostat Hold		17962	Base & Bracket, TDR Tube Units between 07/84 & 02/86
3	15673	Indicator Light, Red, Round, Cook Only, 25V		16686	Knob, Mode Selector Switch Qty 1
	15709	Indicator Light, Amber, Round, 125V		20347	Mode Selector Switch, 4 position
	90043	Relay, DPDT		90034	Grounding Lug
	20662	Quick Disconnect Plug Assy 1 SP only		20349	Buzzer, 120V
	90047	Socket, Quick Disconnect 1 SP only	2	6497	Rocker Switch, SPST White, Lights
	15934	Knob, Timers & Thermostat Qty 4	4	6496	Rocker Switch, SPST, Blue, Blower
	15956	Timer, 60 Minute, 120V 60hz		6498	Rocker Switch, SPDT, Red, Cool Down
	17864	Timer, 12 hour, 120V, 60hz		16476	Logo/Instruction Decal
	17988	Timer, Conversion, 12 hour w/Knob, Units between 01/85 & 04/18/85		17932	Module Assy for Cook & Hold 1 SP
	16498	Knob, 6 Hour Timer			
	90062	Contactora, 35 AMP C & H Only, Units before 07/84			

MECHANICAL COOK ONLY, HOT SURFACE IGNITION 1 SP

MANUFACTURED 01/84 - 02/86

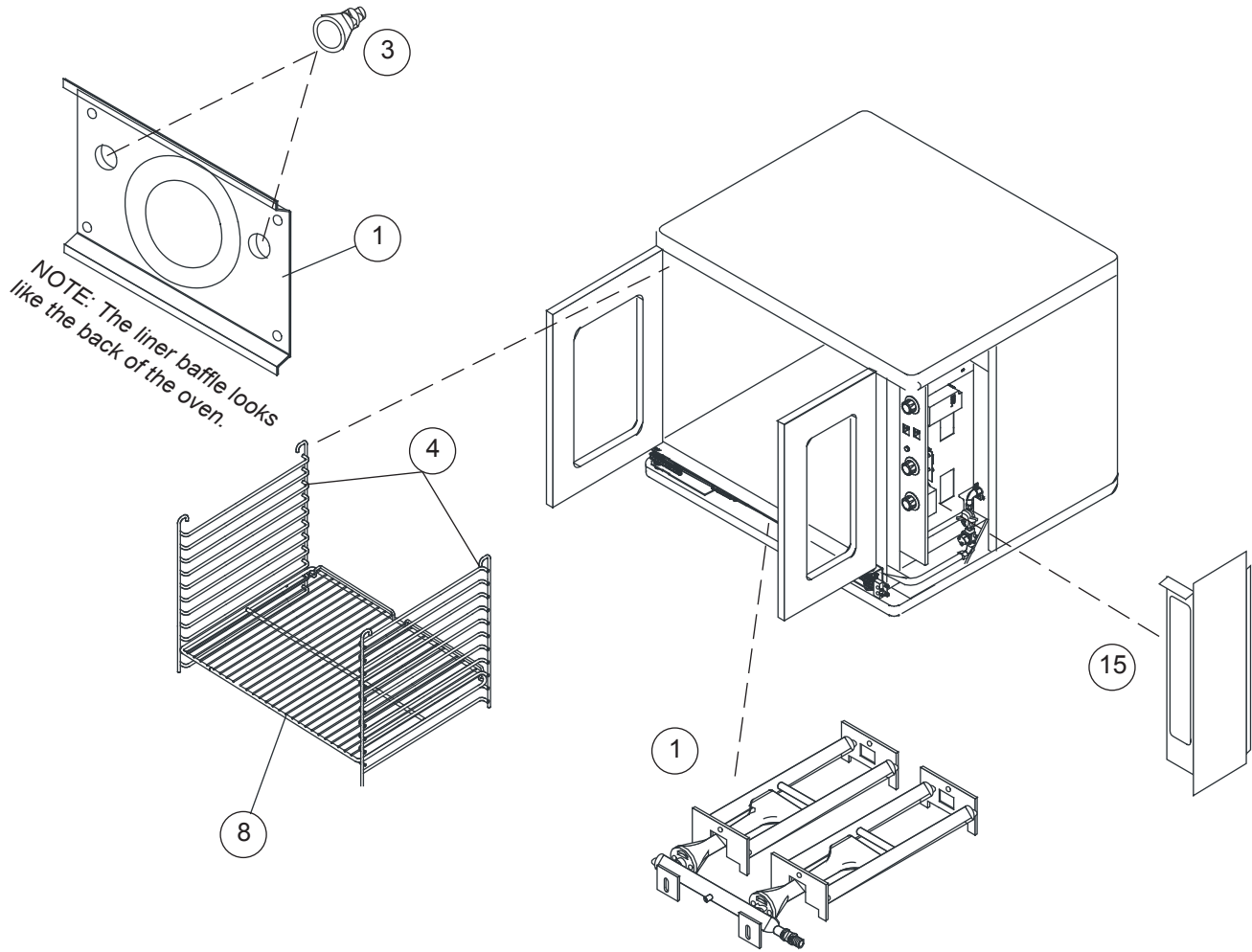
<u>Ref. No.</u>	<u>Part No.</u>	<u>Description</u>	<u>Ref. No.</u>	<u>Part No.</u>	<u>Description</u>
	15934	Knob, Timers, Mode Selector Switch & Thermostat Qty 3		6497	Rocker Switch, SPST White, Lights
	15956	Timer, 60 Minute, 120V 60hz		6496	Rocker Switch, SPST, Blue, Blower
	16030	Knob, 60 Minute Timer		6498	Rocker Switch, SPDT, Red, Cool Down
	11427	Timer, 6 Hour, Mech. Switch		20662	Quick Disconnect Plug Assy 1 SP
	16498	Knob, 6 Hour Timer		90047	Socket, Quick Disconnect 1 SP
	18868	Mode Selector Switch, 3 position		16326	Test Cord
	16536	Thermostat, Cook KX-234-36, 140°-500°		16372	Fuse 5 AMP
	16393	Dial, Thermostat		20658	Fuse Holder
	15673	Indicator Light, Red, Round, Cook Only, 25V		15847	Grommet, Rubber
	90029	Terminal Block Units before 02/86		21437	Base & Bracket, TDR Tube, Cook Units before 07/84
	18357	Wiring Harness, front		17962	Base & Bracket, TDR Tube Units between 07/84 & 02/86
	90034	Grounding Lug		32265	Hot Surface Ignitor
	20349	Buzzer, 120V			

EXPLODED INTERIOR VIEW



Ref. No.	Part No.	Description
2	17861	Deflector Assy All DFG200, DFG-100 Units after 08/84
2	90012	Deflector Assy DFG-100 Units before 07/84
3	17752	Compartment Liner Bottom, Porc. DFG100 Units after 06/84
3	17753	Compartment Liner Bottom, S/S DFG100 Units after 06/84
3	20771	Compartment Liner Bottom, Porc. DFG200
3	20215	Compartment Liner Bottom, S/S DFG200
4	90027	Motor Mount & Panel Assy.
5	33147	Wheel Puller, used to remove blower wheel
6	15853	Blower Wheel, 10-3/4" Dia.
7	32291	Motor, 115V, 1PH, 1/2 HP, 1 SP
7	32291	Motor, 115V, 1PH, 1/2 HP, 2 SP
	16418	Lower Heat Collector, DFG-100

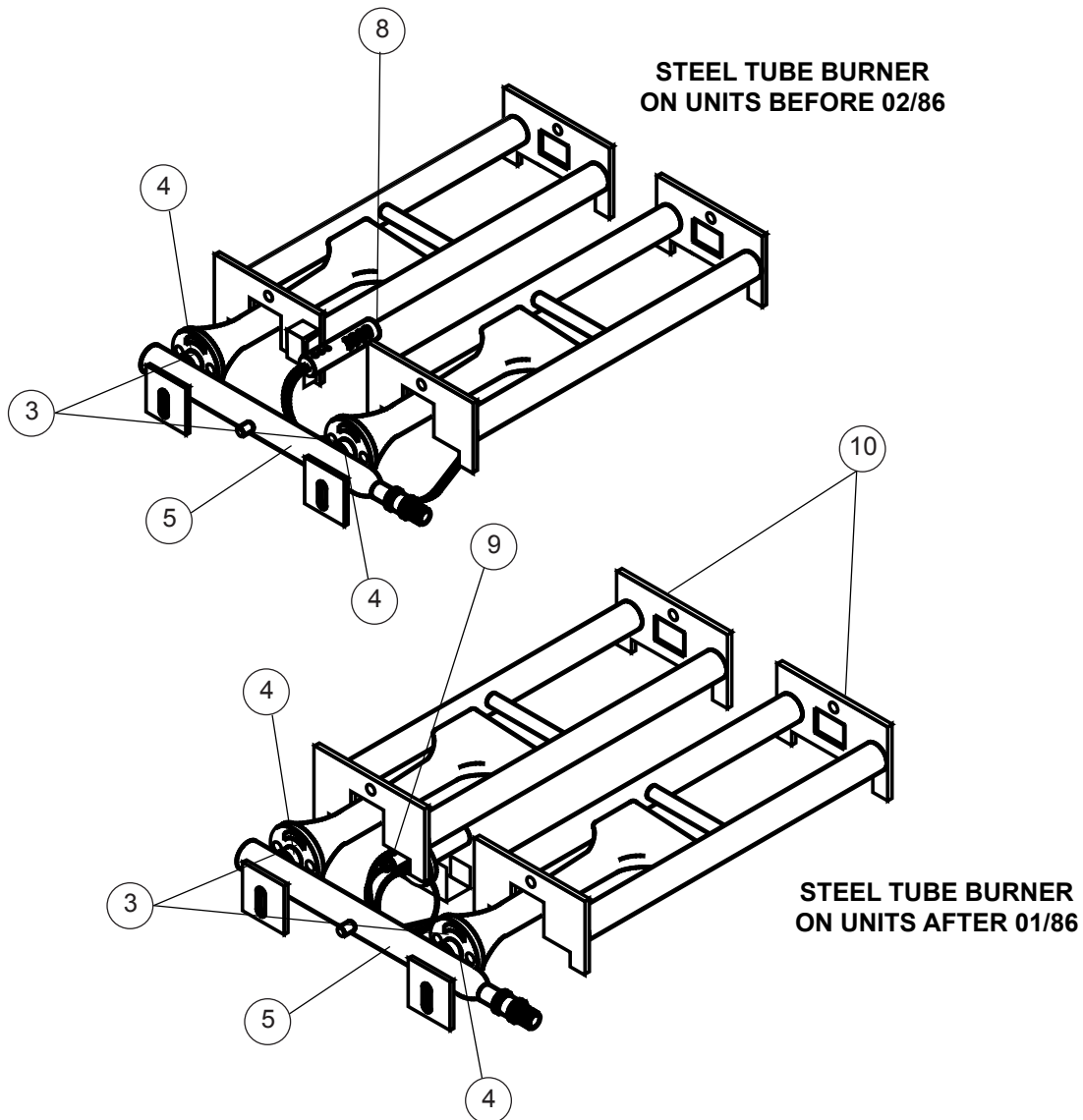
INTERIOR COMPONENTS & EXTERIOR VIEW



Ref. No.	Part No.	Description
1	20758	Interior Baffle, Porcelain, Blower Wheel Cover
1	20864	Interior Baffle, S/S Blower Wheel Cover
	8648	Screws, Mounting Baffle Set of 4
	8646	Brackets, Baffle Support Set of 4
	20642	Light Guards, Baffle Set of 4
	19640	Screen Assy, Baffle S/S
3	4342	Lamp, 120V, 50W
	4922	Socket, Lamp
	15891	Tube Assy, for lamp
4	18769	Rack Support, each, DFG100 Units after 09/86
	19081	Rack Supports, set of 2 DFG100 Units after 9/86
4	90064	Rack Supports, Set of 2 DFG100 Units before 09/86
8	18768	Rack, Each DFG100 Units after 09/86 (20-7/8" x 28-1/4")
4	4701	Rack, Each DFG100 Units before 09/86 (20-7/8" x 28-1/4")
4	21422	Rack Supports, Set of 2 DFG200
8	20246	Rack, Each DFG200 (27-7/8" x 28-3/16")
	19171	Stops, Rack, Set of 2 DFG100

Ref. No.	Part No.	Description
7	20353	Thermostat Bulb Clip, Mechanical
	33939	Thermostat Clip, Solid State w/Thermistor Probe
	33088	Thermostat Bulb Clip w/RTD Probe
9	18799	Steel Tube Burners, Set of 2 Units after 01/86
NOTE:		The DFG100 & 200 do take the same bodysides. The body sides 34570 & 34571 replace 17363 & 15994.
	5091	Cord Set Assy.
	20692	Cover, Interior lamp
15	90036	Cover, controls (wraps around right side) (Before 11/15/06)
	16815	Retainer, Control Panel
15	36512	Cover, Controls (For units with RH control, except for IQ2 or meat probe controls) (After 11/15/06)
15	54487	Cover, Controls (For units with LH control)
15	33132	Cover, Controls IQ2
15	37109	Cover, Controls Meat Probe Control
	38659	Crumb Pan Set (LH & RH)

BURNER & PIPING, EXPLODED



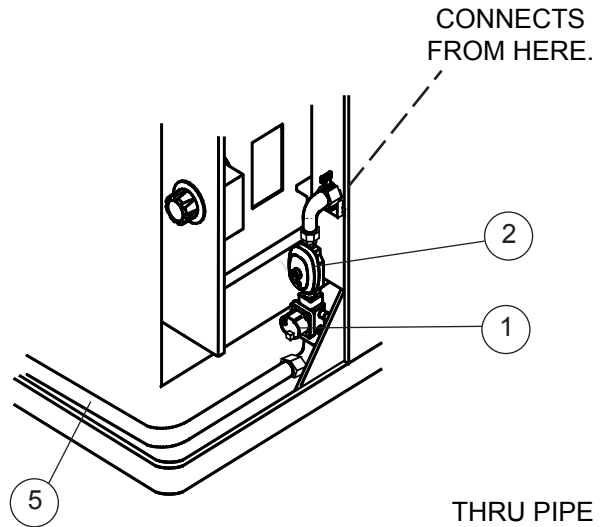
Ref. No.	Part No.	Description
	8717	Orifice, Main Burner Set of 2, Specify gas type & model
	21079	Secondary Air Duct (Set of 2)
3	90063	Shutter Only, Air
4	3001	Locknut, Air Shutter
5	15871	Manifold Assy w/RH controls (Includes 33249, manifold flex tubing)
	33249	Tubing, Manifold Flex Hose <u>ONLY</u> Units after 02/86
7	90023	Tubing, Manifold Flex Hose, w/fittings Units before 02/86
NOTE: <i>The solid manifold tubing has been converted to a flexible tubing. 90023 comes w/all necessary parts to use the flex tubing.</i>		
		Units between 07/84 & 02/86
	20357	Shield, Ignitor (After 02/86)

Ref. No.	Part No.	Description
NOTE: <i>ALL PARTS LISTED BELOW ARE FOR UNITS AFTER 01/86 WITH SPARK IGNITION</i>		
	18792	Mounting Plate, for Spark Box
9	56463	Pilot Burner, Complete, Nat
9	56464	Pilot Burner, Complete, LP
	18256	Flame Sensor Probe, Only
	19677	Wire, Flame Sensor
	18263	Orifice, Pilot, Nat
	18257	Orifice, Pilot, LP
	20195	Spark Gap Gauge
8	32265	Ignitor (Units before 02/86 w/Hot Surface Ignition)
	18364	Flame Simulator
	22310	Transducer, Signal
5	54708	Manifold Assy w/LH controls (Includes 33249, manifold flex tubing)
10	18799	Steel Tube Burner Assy, set of 2, left & right (after 01/86)

GAS STACK ASSY

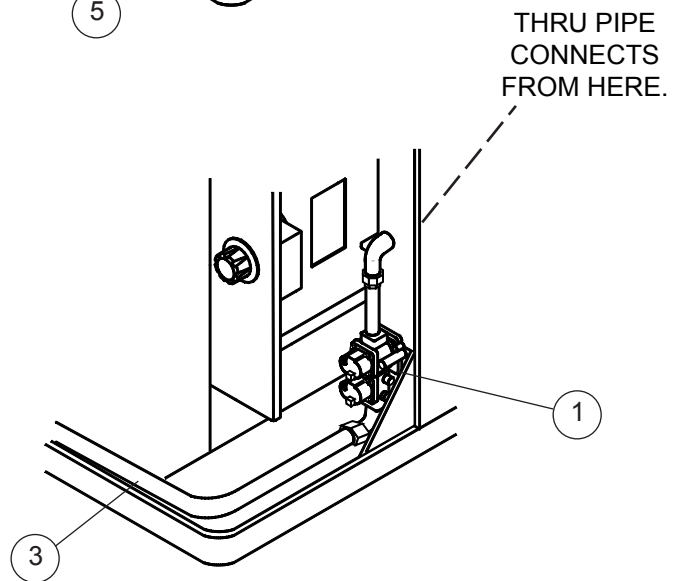
UNITS BEFORE 07/84

<u>Ref. No.</u>	<u>Part No.</u>	<u>Description</u>
1	20287	Solenoid Valve, Single
2	90013	Pressure Regulator, Nat
2	90020	Pressure Regulator, LP
5	90023	Supply Flex Tubing, for Manifold
	10252	Union 1/2"



UNITS BETWEEN 07/84 AND 02/86

<u>Ref. No.</u>	<u>Part No.</u>	<u>Description</u>
1	20325	Solenoid Valve/Pressure Regulator, Nat 110V
1	20275	Solenoid Valve/Pressure Regulator, LP 110V
3	90023	Supply Flex Tubing, for Manifold
	10252	Union 1/2"

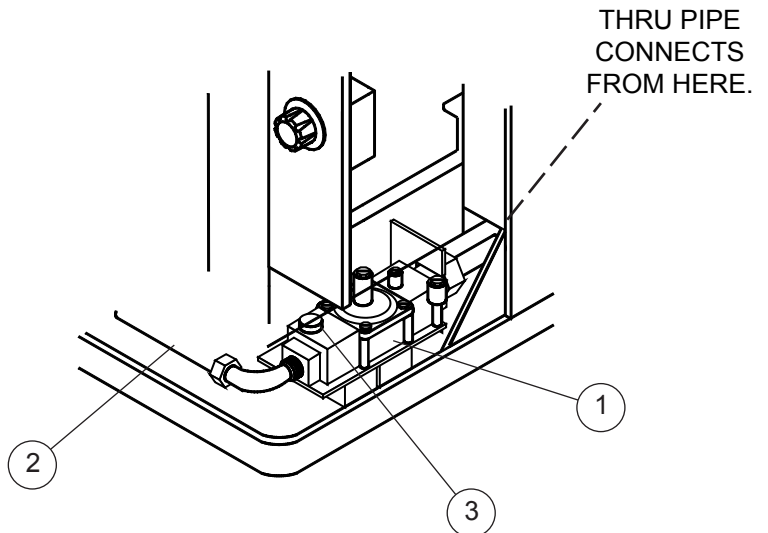


UNITS AFTER 01/86

<u>Ref. No.</u>	<u>Part No.</u>	<u>Description</u>
1	30005	Dual Solenoid Valve/Pressure Regulator, 24V Nat
1	30006	Dual Solenoid Valve/Pressure Regulator, 24V LP
	18242	Thru Pipe
2	33249	Supply Flex Tubing, for Manifold
	37704	Tube/Brkt Assy for DFG-100 w/RH control
3	18586	Pilot Tubing, pre-formed, w/RH controls
3	55087	Pilot Tubing, pre-formed, w/LH controls

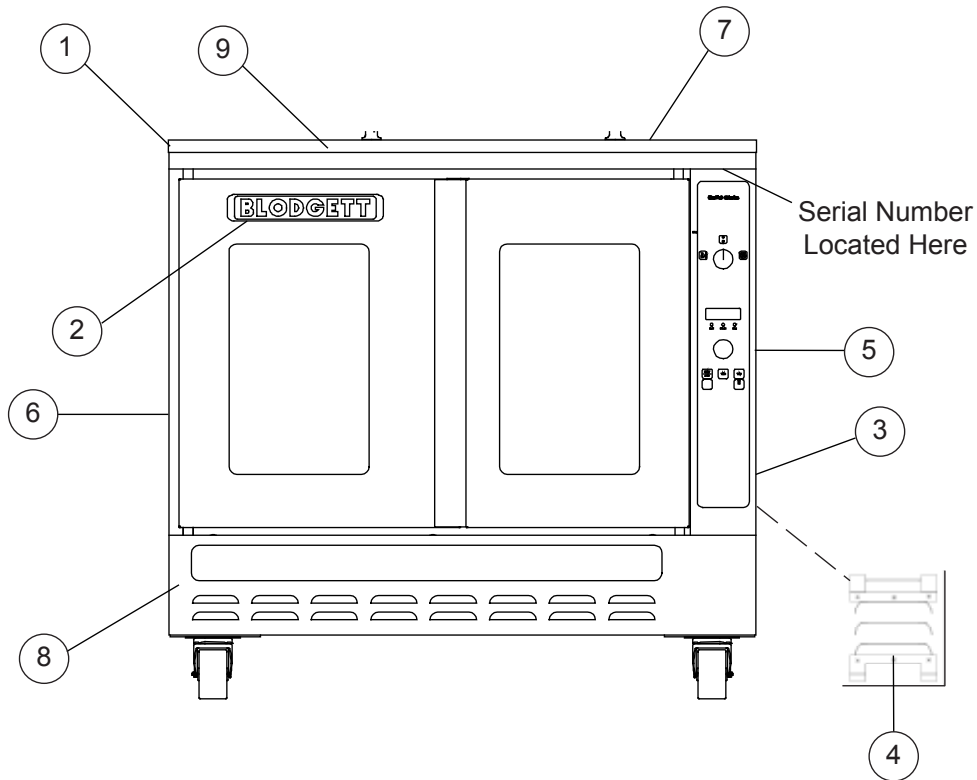
NOTE: *Pilot tubing comes off solenoid valve to pilot burner & burner assy.*

	10252	Union, 1/2"
	30397	Conversion Kit, Nat to LP, DFG-100
	30396	Conversion Kit, LP to Nat, DFG-100
	30399	Conversion Kit, Nat to LP, DFG-200
	30514	Conversion Kit, LP to Nat, DFG-200



EXTERIOR VIEW

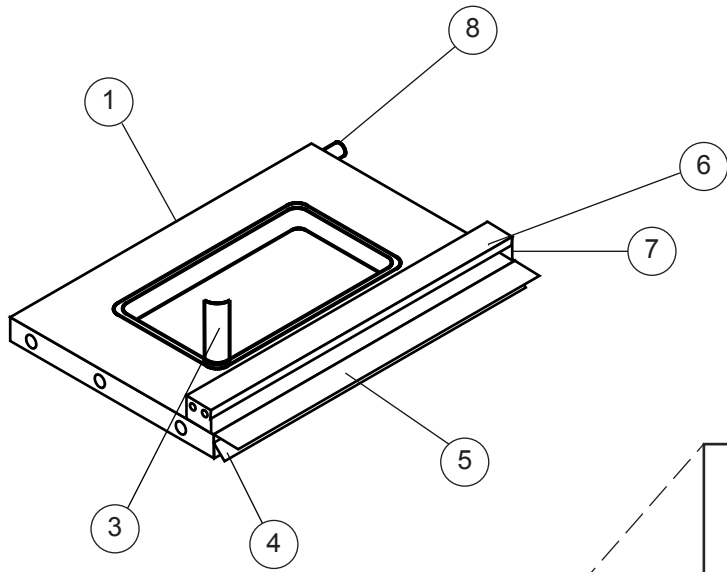
NOTE: PICTURED IS A "BOTTOM SECTION" OF A DOUBLE STACK OVEN



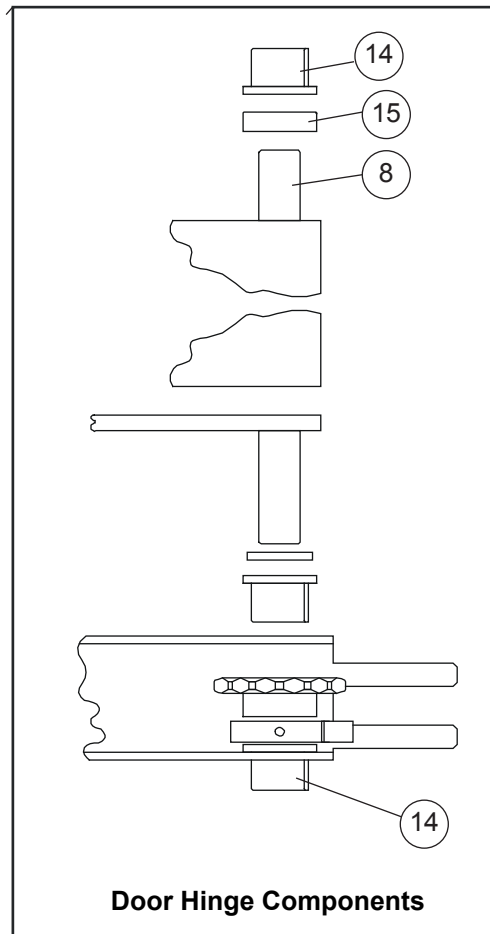
<u>Ref. No.</u>	<u>Part No.</u>	<u>Description</u>	<u>Ref. No.</u>	<u>Part No.</u>	<u>Description</u>
1	23190	Crown Assy. (Around Entire Oven Top)		37205	Bodyside, LH, S/S DFG100 & DFG200
	17812	Logo/Instruction Decal Units after 07/84			Units after 11/23/05
	90038	Logo/Instruction Decal Units before 01/83	7	34541	Bodytop, S/S DFG100
2	16470	Nameplate, Blodgett 10"			Units after 01/05/99 (Before 11/23/05)
3	90036	Access Panel, Control	7	20223	Bodytop, S/S DFG200 (Before 11/23/05)
		Wraps around right hand side of oven	7*	38991	Bodytop, DFG-100 (After 11/23/05)
4	20757	Access Panel, Gas Valve 4"x 4"			w/RH controls
		w/o meat probe control	7*	38981	Bodytop, DFG-200 (After 11/23/05)
4	39558	Access panel (w/meat probe control)			w/RH controls
	17873	Back Panel, S/S DFG100	7	54723	Bodytop DFG100 w/LH controls
		Units before 01/05/99, S.N. 010599RA027T	7	54724	Bodytop DFG200 w/LH controls
	36696	Back Panel, S/S DFG100	8	17858	Combustion Compartment Cover
		Units after 01/05/99, S.N. 010599RA027T			Units after 06/84 w/RH controls
	34761	Back Panel, S/S DFG200			(w/o security package)
		Units after 02/23/99, S.N. 022399EA011S		R6471	Allen Wrench, Security for Backsheet
5	34570	Bodyside, RH, S/S DFG100 & DFG200		16118	Coupling, Reducer 1/2" - 3/4"
		Units before 11/23/05			(goes on the end of thru pipe)
	36407	Bodyside, RH, S/S DFG100 & DFG200	9*	59657	Front Trim Kit, Bodytop
		Units after 11/23/05 w/RH controls			
5	54485	Bodyside RH, DFG100 & DFG200			
		w/LH controls			
6	34571	Bodyside, LH, S/S DFG100 & DFG200			
		Units before 11/23/05 w/RH controls			
6	54486	Bodyside LH, DFG100 & DFG200			
		w/LH controls			

NOTE* For ovens manufactured between 11/23/05 & 03/10/17, items 7 & 9 must be replaced/ purchased together.

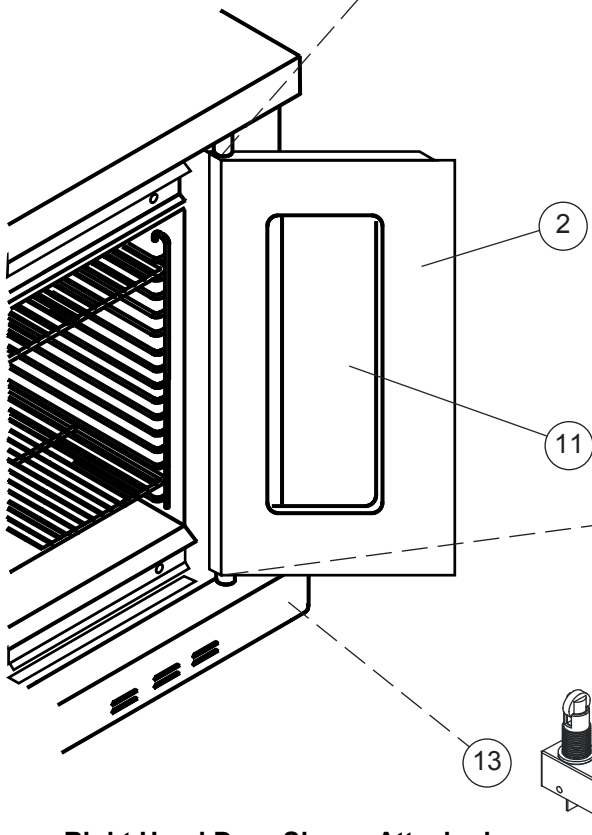
DOOR COMPONENTS



Left Hand Door Shown Laying Down



Door Hinge Components



Right Hand Door Shown Attached

DOOR COMPONENTS

Ref. No.	Part No.	Description
----------	----------	-------------

AFTER JULY, 1984

1	◆ 20806	Door Assy. Sld, LH
2	◆ 20805	Door Assy., Sid RH
1	◆ 20804	Door Assy. w/ Gls, LH
2	◆ 20803	Door Assy. w/ Gls, RH

BETWEEN JANUARY, 1983 & JULY, 1984

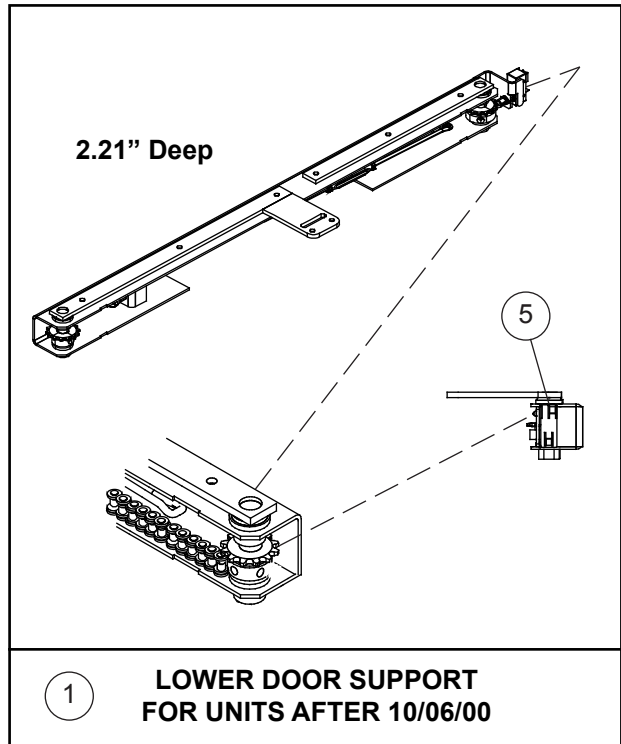
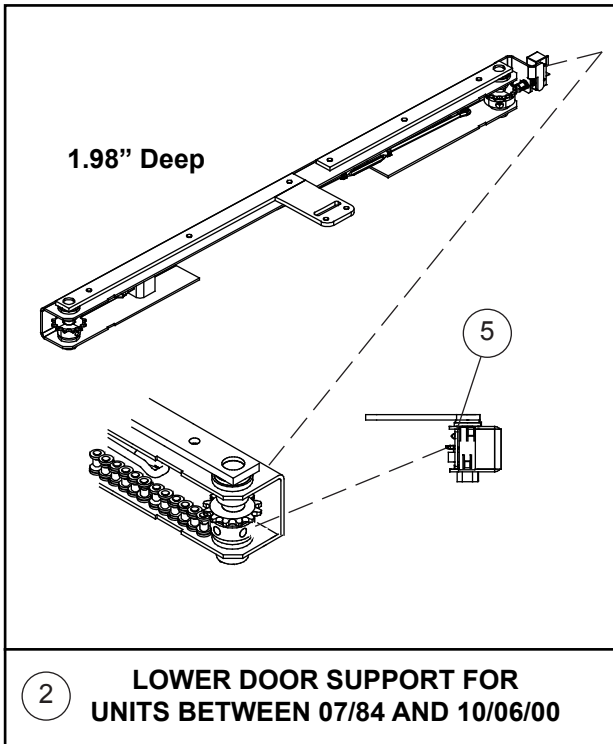
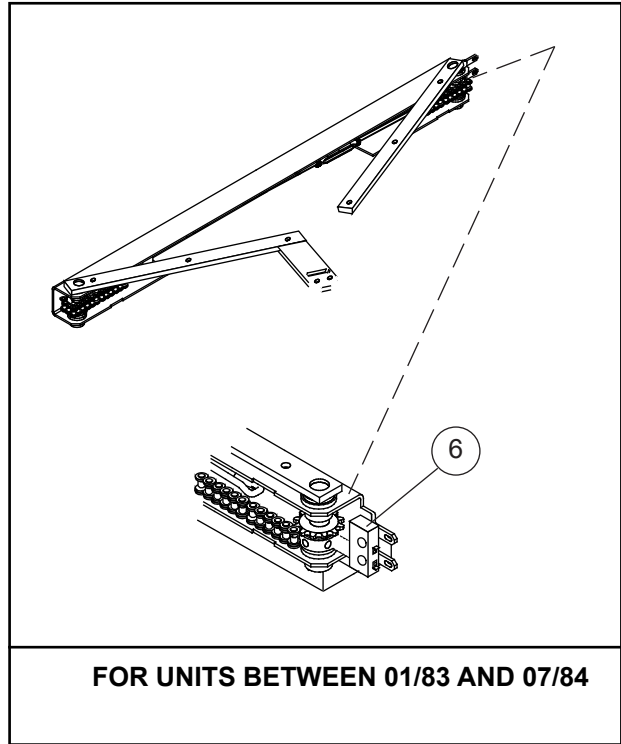
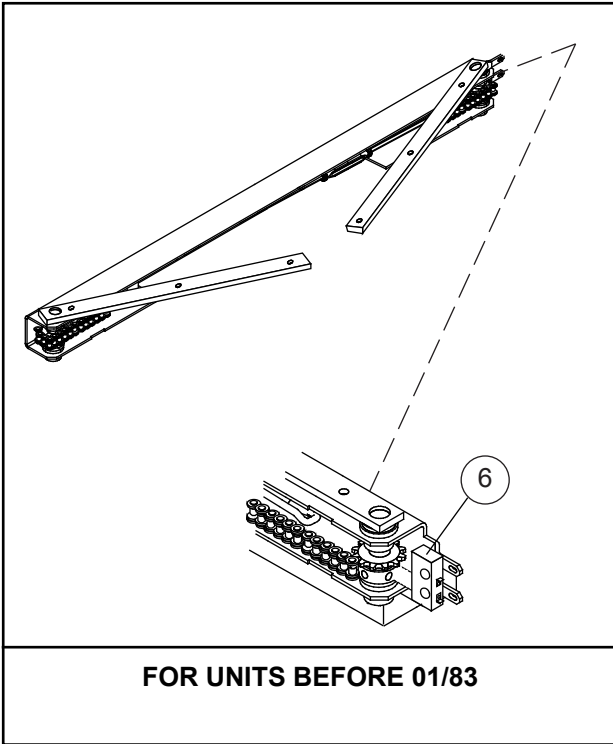
1	◆ 20169	Door Assy. Sld, LH
2	◆ 20805	Door Assy. Sld, RH
1	◆ 20170	Door Assy. w/ Gls, LH
2	◆ 20803	Door Assy. w/ Gls, RH

NOTE: Replacement Doors for Ovens Prior to 1/83 are no longer availabl

3	9035	Window Tool, for installation and removal of window assy
11	9036	Window Assy., Drop In (10-1/8" x 17-1/8") (After 1/83)
	11867	Window Assy., Drop In (20-1/2" x 14-1/4") (Before 1/83)
6	17558	Door Handle, Porc. (After 6/84)
7	18081	Top Plate, Door Handle (After 6/84)
	8583	Door Catch, Striker Plate (Before 1/83)
	8584	Door Catch, Ball Plunger (Before 1/83)
	5742	Key, Spanner (Before 1/83)
14	90004	Bushings, Door Hinge (Set of 2)
15	16657	Sleeve, Upper Door Bushing
8	17557	Hinge Pin, Upper Door
13	35702	Microswitch & Bracket Assy., Door Replaces 19978, Units after 07/84
13	35918	Microswitch Assy., Door Replaces 19978, Units before 07/84
5	17311	Center Trim, Door (After 1/83)
4	16448	Pressure Lock (After 1/83) (Attaches to front of door)
4	36606	Pressure Lock (Attaches to side of door)
	90037	Gasket Assy., Center (Before 1/83)
12	17519	Gasket Assy., Perimeter (Between 7/84 and 12/01/2005)
	36876	Gasket Ass'y, Perimeter (After 12/01/2005)
	90010	Gasket Assy., Perimeter (Before 7/84)

LOWER DOOR SUPPORT COMPONENTS

NOTE: PLEASE HAVE SERIAL NUMBER TO ORDER LOWER DOOR SUPPORTS

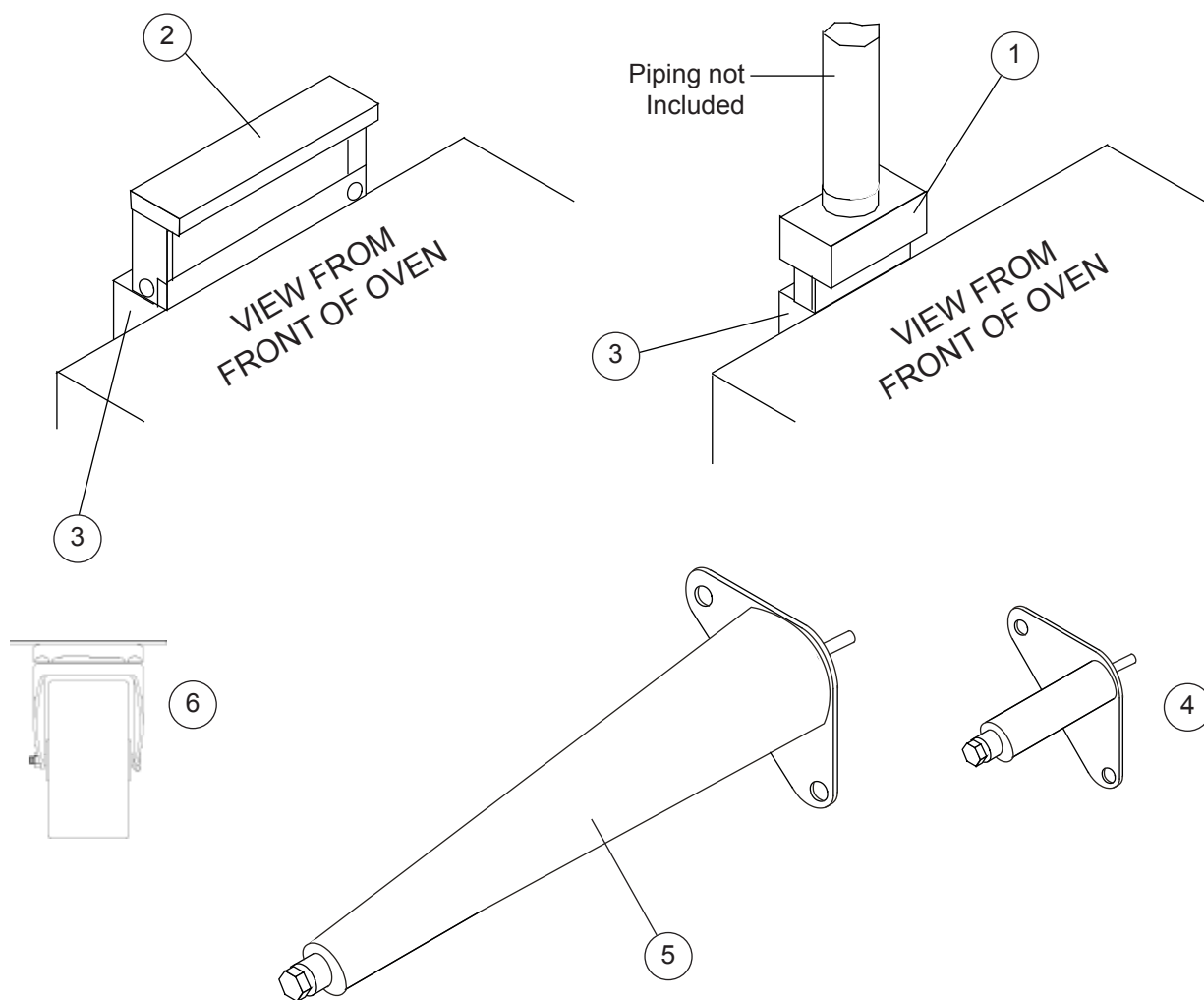


NOTE: The door supports after 07/84 appear the same to the eye. The difference is the depth of the support and the mounting style of the microswitch.

LOWER DOOR SUPPORT COMPONENTS

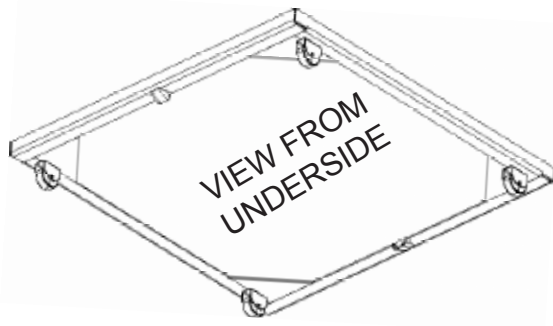
Ref. No.	Part No.	Description
1	36037	Lower Door Support Assy w/Microswitch Units after 10/06/00 w/RH controls
1	55088	Lower Door Support Assy w/Microswitch Units w/LH controls
2	20659	Lower Door Support Assy Units between 7/84 and 10/06/00
	4887	Chain & Turnbuckle Assy
	16487	Washer, Neoprene (Qty 4) mounts to door support for switch
NOTE: <i>Lower Door Support Assy includes the hinge pins, arms, chain & turnbuckles, sprocket assys, cam assy, and microswitch.</i>		
5	35702	Microswitch & Bracket Assy, Door (Includes bracket) Replaces 19978 Units after 07/84
6	35918	Microswitch Assy., Door (Includes bracket) Replaces 19978 Units before 07/84
	35419	Bracket, for Microswitch Units after 07/84
	6195	Bracket, for Microswitch Units before 07/84
NOTE: <i>If you need to replace the sprockets, chain & turnbuckle, or the hinge pin we strongly suggest ordering the entire lower door support. It will include all of these components and will greatly reduce your labor costs and time invested.</i>		

ACCESSORIES

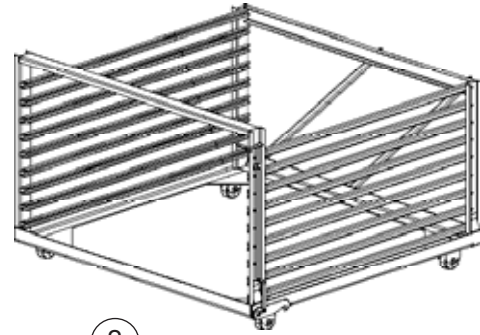


<u>Ref. No.</u>	<u>Part No.</u>	<u>Description</u>	<u>Ref. No.</u>	<u>Part No.</u>	<u>Description</u>
1	7839	Drafhood Assy., Direct Vent, S/S (6" dia.) DFG100, DFG100 Dbl & DFG200 Sgl	7	35048	Backpipe Assy, Dbl (external gas manifold)
2	7840	Draft Diverter, Canopy Vent, S/S DFG100, DFG100 Dbl & DFG200 Sgl		21826	Installation Hose 36"
1	21108	Drafhood Assy., Direct Vent, S/S (8" dia.) DFG200 Dbl (Stacked w/DFG-100 or DFG-200)		21242	Installation Hose 48"
2	20447	Draft Diverter, Canopy Vent, S/S DFG200 Dbl (Stacked w/DFG-100 or DFG-200)	4	8600	Legs, 6" w/ Bolts, S/S Set of 4
3	21107	Flue Connector Assy, 3 Piece DFG200 Dbl	5	8598	Legs, 25" w/ Bolts, S/S Set of 4
3	17486	Flue Connector Assy, 3 Piece DFG100 Dbl	4	33196	Seismic Legs, 6", S/S Set of 4
3	17485	Flue Connector Assy, DFG-3 on DFG-1		92000	Studs, Leg Set of 4
3	17445	Flue Connector Assy, DFG-3 on GZL-10		7847	Bolts, Leg Set of 8
3	17484	Flue Connector Assy, DFG-3 on FA-100	6	5779	Casters w/ Plate Set of 4 Dbl Oven
3	21104	Flue Box Single Oven DFG200		16002	Casters Set of 4 Sgl Oven Only
3	20443	Flue Box Single Oven DFG100		19528	Casters, Low Profile Set of 4 Dbl Oven
	31803	Clips, Stacking Double Oven		31013	Casters, Heavy Duty Low Profile Set of 4 (Jarvis & Jarvis) Dbl Oven
				6486	Open Stand w/ Feet, S/S DFG100
				11416	Open Stand w/ Casters, S/S DFG100
				21053	Open Stand w/ Feet, S/S DFG200
				20878	Open Stand w/ Casters, S/S DFG200
				54422	Side Heat Shield, Right or Left
				57707	29" Welded Stand w/feet
				57686	29" Welded Stand w/casters

ROLL-IN UNITS & PARTS



1



2

Ref. No.	Part No.	Description
	7689	Transport Cart, CTRG
	8626	Transport Cart, CTRG-2
	8356	Casters, 5" Transport Cart Set of 4
	9052	Handle, Transport Cart Single Oven
	9015	Handle, Transport Cart Double Oven
	8355	Docking Pins, Transport Cart Set of 2
	20517	Docking Assy, Transport Cart
	8359	Catch Mechanism, Transport Cart
	8357	Locking Bar, Transport Cart
	8358	Tracks & Shelf Assy., Transport Cart
	18334	Tracks, Oven Liner CTRG DFG100
	19782	Track, Left DFG100
	18031	Track, Right DFG100
	51659	Track with screws, Left DFG200
	51660	Track with screws, Right DFG200
	21089	Rack Stop, S/S
	7931	Vertical Posts, Each DFG200
1	24607	Roll-In Basket Dolly, DBRI-L S/S, DFG-200
2	11207	Roll-In Pan Rack, RPR-S9 w/ 5 Racks DFG100
	11206	Roll-In Pan Rack, RPR-L9 w/ 5 Racks DFG200
	8677	Wire Rack, Each for Roll-In Pan Rack, S9 DFG100 (19" x 26)
	7590	Wire Rack, Each for Roll-In Pan Rack, L9 DFG200 (26" x 26")
1	24608	Roll-In Basket Dolly, DBRI-S DFG-100

EXCLUSIVE TO BOSTON MARKET

<u>Ref. No.</u>	<u>Part No.</u>	<u>Description</u>
	33171	Blower Wheel
	18587	Relay & Bracket, 3PDT 120V
	19619	Rocker Switch, DPST, Black
	19620	Rocker Switch, DPST, Black
	23077	Capacitor & Bracket, Electrolytic, 2SP
	17858	Combustion Cover Assy., Gas Valve
	20757	Access Panel Assy.
	31274	Transformer 120V to 24V
	33073	Relay Board
	33074	Probe, RTD 1000 OHM

EXCLUSIVE TO ARBY'S WITH MEAT PROBES

<u>Ref. No.</u>	<u>Part No.</u>	<u>Description</u>
	54743	Control, Meat Probe
	37134	Probe, Meat (qty 8)
	37130	Bracket, Meat Probe
	37135	Probe, Temperature Meat Probe
	56738	Relay, SPST 24 VDC
	36628	Relay, DPST 25A 208/240 V
	37132	Manifold, meat probe
	37133	Harness, manifold meat probe
	37509	Manifold Assy (includes: Probe, harness, manifold, tube, and grommet.)
	36616	Knob, Control
	20348	Spark Module
	18868	Switch, Rotary 3 Position
	30662	Kit, momentary light switch
	52107	Filter, EMI
	54692	Switch, High Limit
	36700	Transformer, 115V to 24V

EXCLUSIVE TO EXPORT

<u>Ref. No.</u>	<u>Part No.</u>	<u>Description</u>
	M9182	Valve, Gas CE & Australia
	56465	Pilot Burner & Ignitor Assy., Nat CE
	56466	Pilot Burner & Ignitor Assy., LP CE
	55091	Tube, Pilot CE
	34974	Conversion Kit, Air Pressure Differential Switch CE Before 01/20/99 or S.N. 012099RA033S
	M9422	Air Pressure Differential Switch, switch only CE (After 1/20/99)
	M9705	Polyurethane Tubing, (Per inch, Total 36") used w/pressure switch
	36066	Thermostat, High Limit Kit (Manual reset) CE
	32543	Pressure Tap, Inlet CE
	M2841	Fitting, Pressure Tap CE
	53009	Ignition Control, 240V CE
	53010	Filter, Noise CE
	15637	Lamp, 230/250V, 50 Watt CE
	4922	Socket, Lamp CE
	16037	Indicator Light, 250V, Red, Round CE
	16537	Indicator Light, 250V, Amber, Round CE
	18267	Indicator Light, 250V, Blue, Round CE
	18439	Potentiometer, Humidiare Control CE
	20350	Buzzer, 240V CE
	M3172	Timer, Fixed, 2 Second CE
	20084	Timer, 60 Min., 240V, 50 HZ CE
	18581	Timer, Adjustable, 240V CE
	24684	Knob, Mode CE
	24685	Knob, Adjust TNT CE
	30517	Rocker Switch, DPST, Matte Black CE
	21430	Axial Fan, 230V, 34 CFM 3" CE (2 Fans)
	32501	Decal, Infinite CE
	18525	Decal, Infinite Export
	32489	Decal, SSD CE
	35152	Harness & Socket Assy 15 AMP NON CE
	34811	Control Access Cover (DFG 100 only) CE
	32244	Motor, 1SP
	20356	Transformer, 115/230 to 24V
	36755	Thermal Switch, Cooking Fan
	23034	Axial Fan, 230V, 4" (1 Fan)
	57565	Module w/Probe, 240V, Infinite w/Digital Timer