



FRYERS

STAR-MAX ELECTRIC FRYERS



Model No.	Code	Oil Capacity [lb.]	Fries per hour [lb.]	Volts ¹	Watts	NEMA Plug	Width [in.]	Depth [in.]	Height [in.]	Ship Wt. [lb.]	Freight Class
SINGLE POT, TWIN BASKETS											
514LL		14	15	120	1,800	5-15P	11.00	21.88	13.25	34	85
301HLF		15	28	208/240	4,130/5,300	6-30P	18.00	20.00	17.00	50	85
515F		15	32	208/240	4,319/5,750	6-30P	12.00	24.00	16.75	47	85
530FF		30	65	208/240	8,460/11,500	Field Wired	24.00	24.00	16.50	80	85
TWIN POT, SINGLE BASKET											
530TF		30	64	208/240	8,638/11,500	Field Wired	24.00	24.00	16.75	80	85



STAR-MAX FRYER ACCESSORIES

Model No	Choice	Description	Ship Wt. [lb.]	Freight Class
514FB		BASKET for 514LL	4	85
301FBL		TWIN BASKET (Left Hand) for 301HLF	4	85
301FBR		TWIN BASKET (Right Hand) for 301HLF	4	85
530TBL		TWIN BASKET (Left Hand) for 515F, 530TF & 615FF	4	85
530TBR		TWIN BASKET (Right Hand) for 515F, 530TF & 615FF	4	85



thor

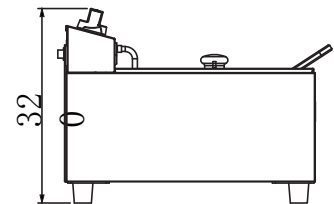
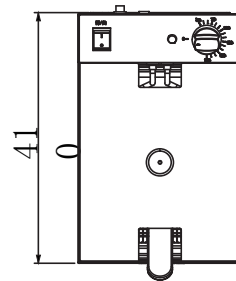
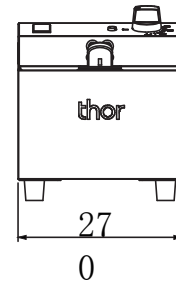
Single Fryer TR00405-N

Product Features

- Removable electrical head with safety switch
- 5L capacity
- Non-slip rubber feet
- 1pcs High quality stainless steel baskets
- ON/OFF switch to control main power
- Indicator light to show working
- Thermal cut out device for safe operation
- Capillary thermostat with a temperature range of 60-190°C



Single Fryer



Product Code

Capacity/
Cooking Area

Electrical

Product Overall Dimensions (mm/inch)

TR00405-N

5Ltrs/10.1Lbs

220-240V 50Hz 2.8kW 12.2A

Width
270/10.6

Depth
410/16.1

Height
320/12.5

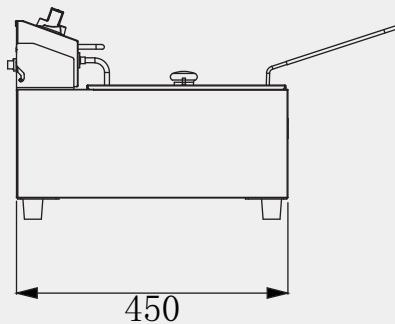
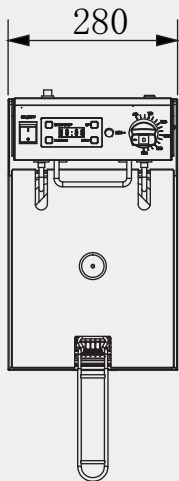
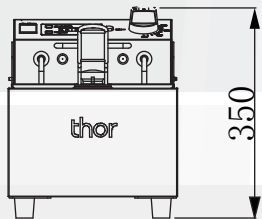


thor

Single Fryer TR01845T-N

Product Features

- Thermal cut out device for safe operation
- Digital timer with alarm function
- ON/OFF switch to control main power
- Indicator light to show working
- Independently controlled detachable head unit
- Adjustable thermostat control(60 to 190°C)



Product Code	Capacity/ Cooking Area	Electrical
TR01845T-N	5Ltrs/10Lbs	220-240 V, 50 Hz, 2.8 kW 12.2 A

Product Overall Dimensions (mm/inch)

Width	Depth	Height
280/11.0	450/17.7	350/13.8

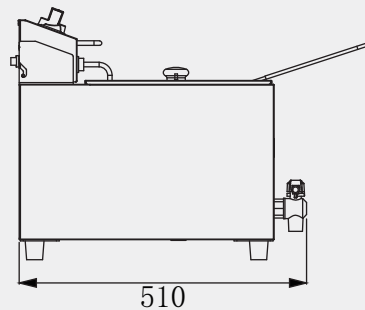
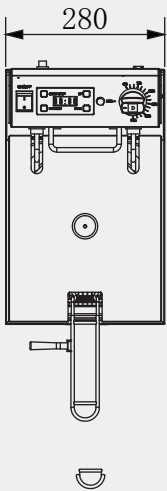
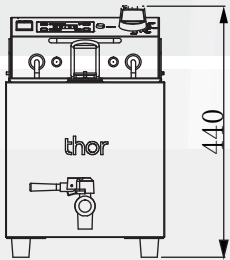


thor

Single Fryer TR01860T-N

Product Features

- Oil drain valve for easy drainage
- Thermal cut out device for safe operation
- Digital timer with alarm function
- ON/OFF switch to control main power
- Indicator light to show working
- Independently controlled detachable head units
- Adjustable thermostat control(60 to 190°C)



Product Code	Capacity/ Cooking Area	Electrical
TR01860T-N	8Ltrs/16.2Lbs	220-240 V, 50 Hz, 2x2.0 kW 8.7A

Product Overall Dimensions (mm/inch)

Width	Depth	Height
280/11.0	510/20.0	440/17.3

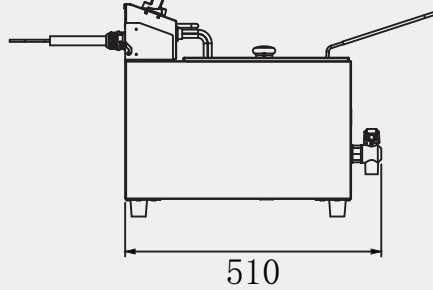
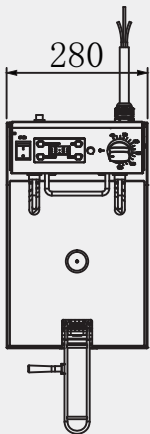
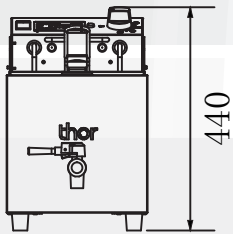


thor

Single Fryer TR01865T-N

Product Features

- Oil drain valve for easy drainage
- Thermal cut out device for safe operation
- Digital timer with alarm function
- ON/OFF switch to control main power
- Indicator light to show working
- Independently controlled detachable head units
- Adjustable thermostat control(60 to 190°C)



Product Code

Capacity/
Cooking Area

Electrical

Product Overall Dimensions (mm/inch)

TR01865T-N

8Ltrs/16.2Lbs

220-240V, 50 Hz, 6 kW, 25A

Width
280/11.0

Depth
510/20.0

Height
440/17.3



thor

Double Fryer

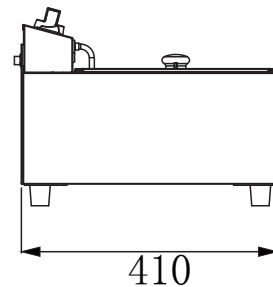
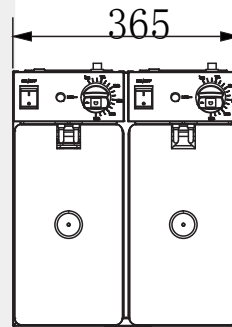
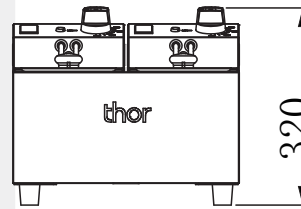
TR00410-N

Double Fryer



Product Features

- Removable electrical head with safety switch
- 2x3L capacity
- Non-slip rubber feet
- 2pcs High quality stainless steel baskets
- ON/OFF switch to control main power
- Indicator light to show working
- Thermal cut out device for safe operation
- Capillary thermostat with a temperature range of 60-190°C



Product Code	Capacity/ Cooking Area	Electrical
TR00410-N	3Ltrs/6Lbs	220-240 V, 50 Hz, 2x2.0 kW 8.7 A

Product Overall Dimensions (mm/inch)		
Width 365/14.3	Depth 410/16.1	Height 320/12.5



THOR Fryers

21/29

thor

Double Fryer

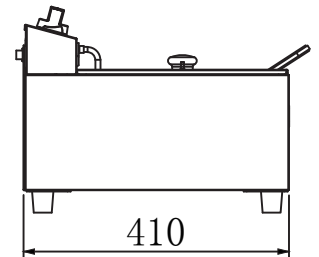
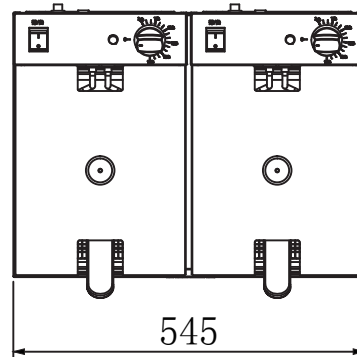
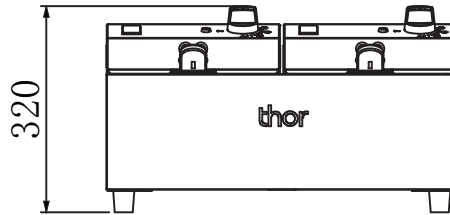
TR00415-N

Double Fryer



Product Features

- Removable electrical head with safety switch
- 2x5L capacity
- Non-slip rubber feet
- 2pcs High quality stainless steel baskets
- ON/OFF switch to control main power
- Indicator light to show working
- Thermal cut out device for safe operation
- Capillary thermostat with a temperature range of 60-190°C



Product Code

Capacity/
Cooking Area

Electrical

Product Overall Dimensions (mm/inch)

TR00415-N

2X5Ltrs/2x10.1Lbs

220-240 V, 50 Hz, 2x2.8 kW 12.2 A

Width
545/21.5

Depth
410/16.1

Height
320/12.5



THOR Fryers

22/29

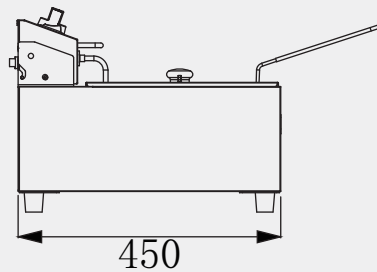
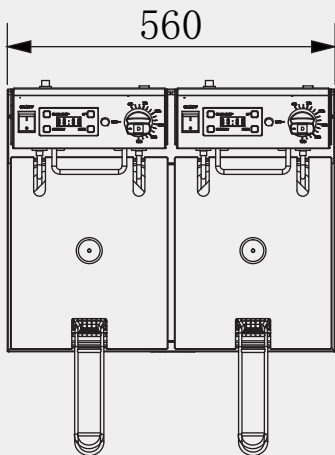
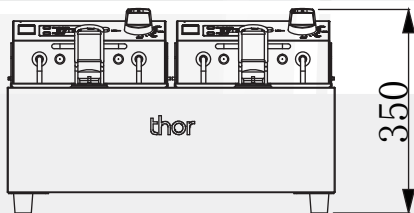
thor

Double Fryer TR01925T-N



Product Features

- Thermal cut out device for safe operation
- 2x5L capacity
- 2pcs High quality stainless steel baskets
- Digital timer with alarm function
- ON/OFF switch to control main power
- Indicator light to show working
- Independently controlled detachable head unit
- Adjustable thermostat control(60 to 190°C)



Product Code

Capacity/
Cooking Area

Electrical

Product Overall Dimensions (mm/inch)

TR01925T-N

5Ltrs/10Lbs

220-240 V, 50 Hz, 2x2.8 kW 12.2 A

Width
560/22.0

Depth
450/17.7

Height
350/13.8



thor

Double Fryer

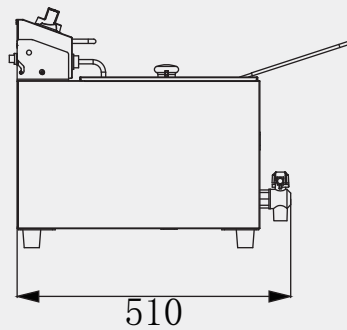
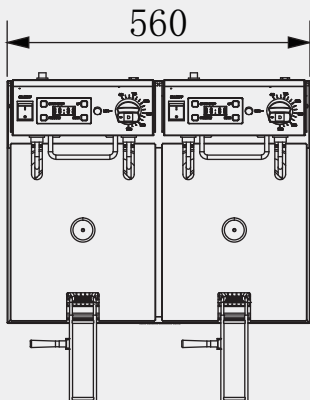
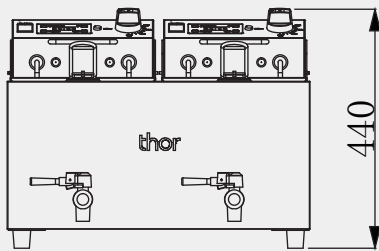
TR01940T-N

Double Fryer



Product Features

- Stainless steel #430 construction
- Removable electrical head with safety switch
- 2x8L capacity
- Stainless steel lid
- A drain tap for easy to cleaning
- Non-slip rubber feet
- 2pcs High quality stainless steel baskets
- ON/OFF switch to control main power
- Indicator light to show working
- Thermostatic control and thermal cut out device
- Capillary thermostat with a temperature range of 60-190°C



Product Code

Capacity/
Cooking Area

Electrical

Product Overall Dimensions (mm/inch)

TR01940T-N

8Ltrs/16Lbs

220-240 V, 50 Hz, 2x2.9 kW 12.6 A

Width
560/22.0

Depth
510/20.0

Height
440/17.3



THOR Fryers

24/29

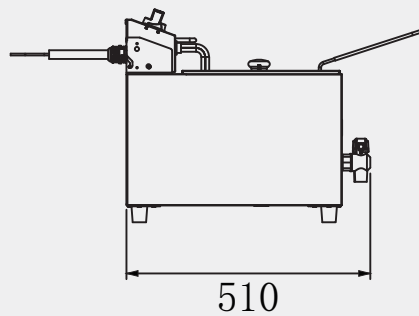
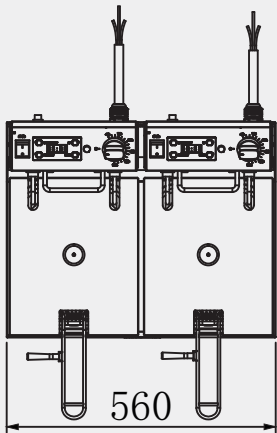
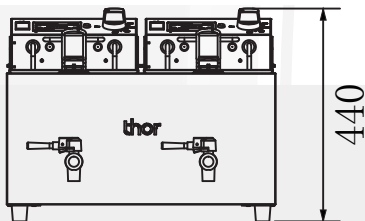
thor

Double Fryer **TR01950T-N**

Product Features

- Oil drain valve for easy drainage
- Thermal cut out device for safe operation
- 2x8L capacity
- Digital timer with alarm function
- ON/OFF switch to control main power
- Indicator light to show working
- Independently controlled detachable head units
- Adjustable thermostat control(60 to 190°C)

Double Fryer



Product Code

Capacity/
Cooking Area

Electrical

Product Overall Dimensions (mm/inch)

TR01950T-N

8Ltrs/16.2Lbs

220-240V, 50 Hz, 2x6 kW, 2x25A

Width
560/22.0

Depth
510/20.0

Height
440/17.3





ELECTRIC COUNTERTOP FRYER Electric countertop fryer with s/steel tank. Single or double tank versions. Protected resistance. Large baskets with handle. Thermostat from 50° to 190°C.

CODE	V-FRI4EB	V-FRI4+4EB
OIL (Lt)	4	4+4
VOLTAGE	230V 50 Hz	230V 50 Hz
POWER	2000W	2X2000W
BASKET DIMENSIONS	210x120x100h mm	210x120x100h mm
DIMENSIONS	440x190x270h mm	440x380x270h mm
WEIGHT	4,5 Kg	7 Kg

CODE	V-FRI6EB	V-FRI6+6EB
OIL (Lt)	6	6+6
VOLTAGE	230V 50 HZ	230V 50 HZ
POWER	3000W	2X3000W
BASKET DIMENSIONS	210x190x100h mm	210x190x100h mm
DIMENSIONS	440x290x285h mm	440x590x285h mm
WEIGHT	6 Kg	9,5 Kg

ELECTRIC COUNTERTOP FRYER WITH TAP Electric countertop fryer with s/steel tank. Single or double tank version. Protected resistance. Large baskets with handle. Thermostat from 50° to 190°C. Drain tap at front.

CODE	V-FRI9EB	V-FRI9+9EB
OIL (Lt)	9	9+9
VOLTAGE	230V 50 Hz	230V 50 Hz
POWER	3500W	2x3500W
BASKET DIMENSIONS	210x200 X120h	210x200 X120h
DIMENSIONS	310x480 x345h mm	480x630 x345h mm
WEIGHT	8 Kg	13 Kg

CODE	V-FRI13EB	V-FRI13+13EB
OIL (Lt)	13	13+13
VOLTAGE	230V 50 Hz	230V 50 Hz
POWER	5000W	2x5000W
BASKET DIMENSIONS	240x220 x120h	240x220x120h
DIMENSIONS	520x340 x365h mm	690x520x365h mm
WEIGHT	9 Kg	15 Kg



THREEPHASE ELECTRIC FRYER Electric countertop fryer with s/steel tank. Single or double tank version. Protected resistances, removable large baskets with

CODE	V-FRI10T	V-FRI10+10T
OIL LT	10	10+10
VOLTAGE	400V-50HZ	400V-50HZ
POWER	6000 W	2X6000 W
BASKET DIMENSIONS	210x250 x110h mm	
DIMENSIONS	275x530 x365h mm	2X 210x 250x110h mm 565x530 x365h mm
NET WEIGHT	11,5 kg	19 kg

INDUCTION FRYER Induction electric s/steel countertop fryer, removable baskets with handle, drain tap at front and optional stop-residues grid. Touch controls, thermostat from 60°C to 190°C, timer (max 120 minutes), oil overheat protection, automatic shut down after 2 hours, buzzer alarm to remind oil level check at turning on.

CODE	V-FRI7I
OIL LT	7
VOLTAGE	230V-50HZ
POWER	3500 W
BASKET DIMENSIONS	180x218 x135h mm
DIMENSIONS	290x440 x407h mm
NET WEIGHT	12,2 kg



GAS COUNTERTOP FRYER Stainless steel gas countertop fryer, removable large baskets with handles. Overheat safety thermostat, supplied with gas by means of thermopile.

BAKERY FRYER Electric s/steel bakery countertop fryer, working (+50°C +190°C) and safety (+240°C) thermostats, drain tap at front, cold zone and removable resistances.

CODE	V-FRI10GB	V-FRI10+10GB
OIL (Lt)	10	10+10
VOLTAGE	GPL/METANO GLP/GNC	GPL/METANO GLP/GNC
POWER	6500W	13000W
BASKET DIMENSIONS	290x215 x120h mm	290x215 x120h mm
DIMENSIONS	400x600 x650h mm/700x600 x650h mm	
PESO - WEIGHT PESEO - POIDS	24 Kg	41 Kg

CODE	V-FRI25PA
OIL (Lt)	25
VOLTAGE	400/50HZ
POWER	9000 W
BASKET DIMENSIONS	450x480 x125h
DIMENSIONS	585x715x 420h mm
WEIGHT	22,5 kg

AyrKing Corporation

Tumble Marinator



AyrKing offers a tumble marinating solution that quickly infuses your marinade flavors into your menu items. Compared to traditional overnight marination, our tumble marinator allows quick on-demand marination with full flavor profile.

Photo of M101-120/M101-220



MODELS

#M101-120

115V Tumble Marinator, 37" L by 20" W, with a 40.6L [10.7 gallons] stainless drum volume

#M101-220

230V Tumble Marinator, 37" L by 20" W, with a 40.6L [10.7 gallons] stainless drum volume

Optional Accessories

Part#5004306-001

96L [25.4 gallons] stainless steel drum

Part#5001996-135

Safety Cover for Drum

Part#5004151

Plastic tub w/ lid

Part#5004152

Perforated drain inset for plastic tub



Operating Instructions

Set desired tumble cycle time. Fill drum with product and marinade. Press start button for tumble cycle to begin. When unit stops, simply empty marinated product into pan below the drum. Timer is located behind an access panel to prevent tampering.

Mobility

Unit is mounted on locking casters for mobility. Marinator can be stored under a worktable.

Cleaning

Simply remove drum from cart and wash in sink or dishwasher. It's that easy!

Unit Features

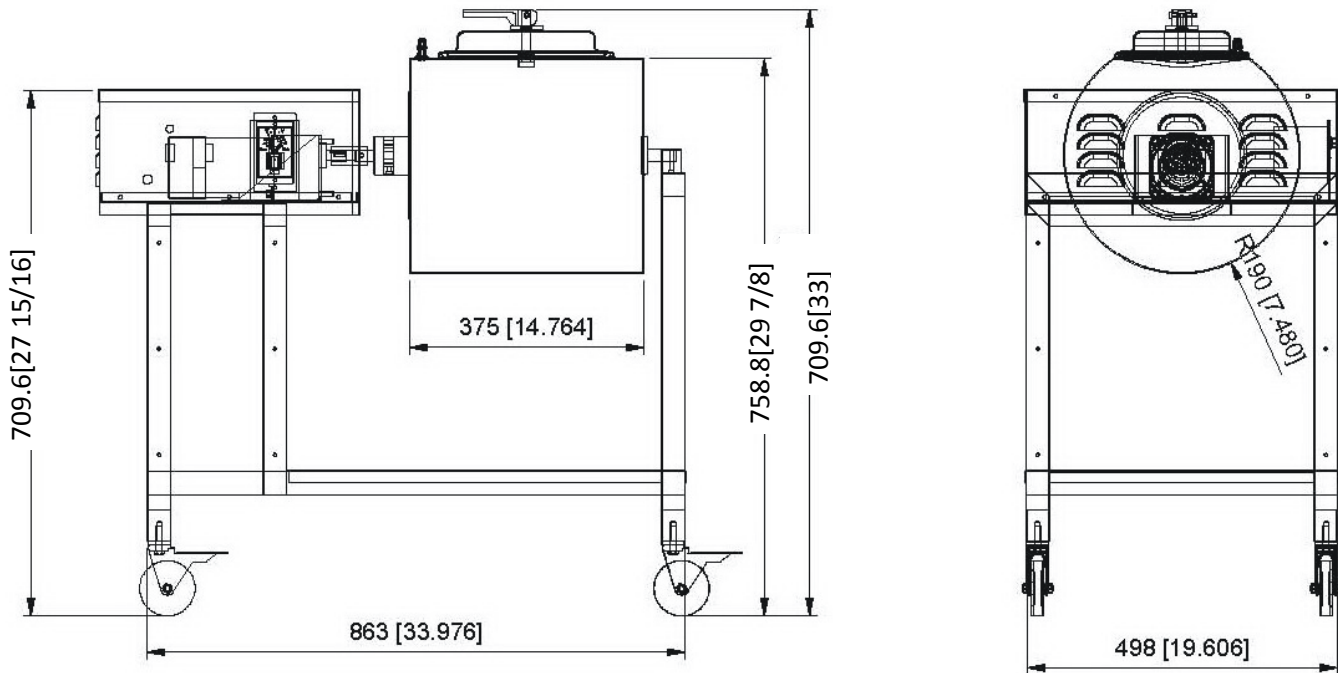
Analog controls with digital readout (behind cover plate)

Infinite control for Marinating time (behind cover plate)

AyrKing Corporation
2013 Cobalt Drive
Louisville, KY 40299-2417

Telephone 502-266-6270
Facsimile 502-266-6274
www.ayrking.com

AyrKing Corporation Tumble Marinator



Units in mm [inches]

CRATED MEASUREMENTS

MODEL	LENGTH	WIDTH	HEIGHT	WEIGHT	UNCRATED
M101-120	39" (990.6mm)	25" (635mm)	36" (914.4mm)	170 lb (77kg)	120lb (54kg)
M101-220	39" (990.6mm)	25" (635mm)	36" (914.4mm)	170 lb (77kg)	120lb (54kg)

ELECTRICAL

115V, 50/60Hz, 1 phase, 1.7AMP, 140W
230V, 50/60Hz, 1 phase, 1.1AMP, 140 W

WARRANTY

One Year Parts
Ninety Days Labor
No Travel Time

Includes universal male three prong, recessed
AC receptacle (IEC 320 C13) mating to an 8 foot
(2438mm) cord with NEMA 5-15P male three prong plug

Specifications subject to change without notice. Version 04/17

AyrKing Corporation
2013 Cobalt Drive
Louisville, KY 40299-2417

Telephone 502-266-6270
Facsimile 502-266-6274
www.ayrking.com